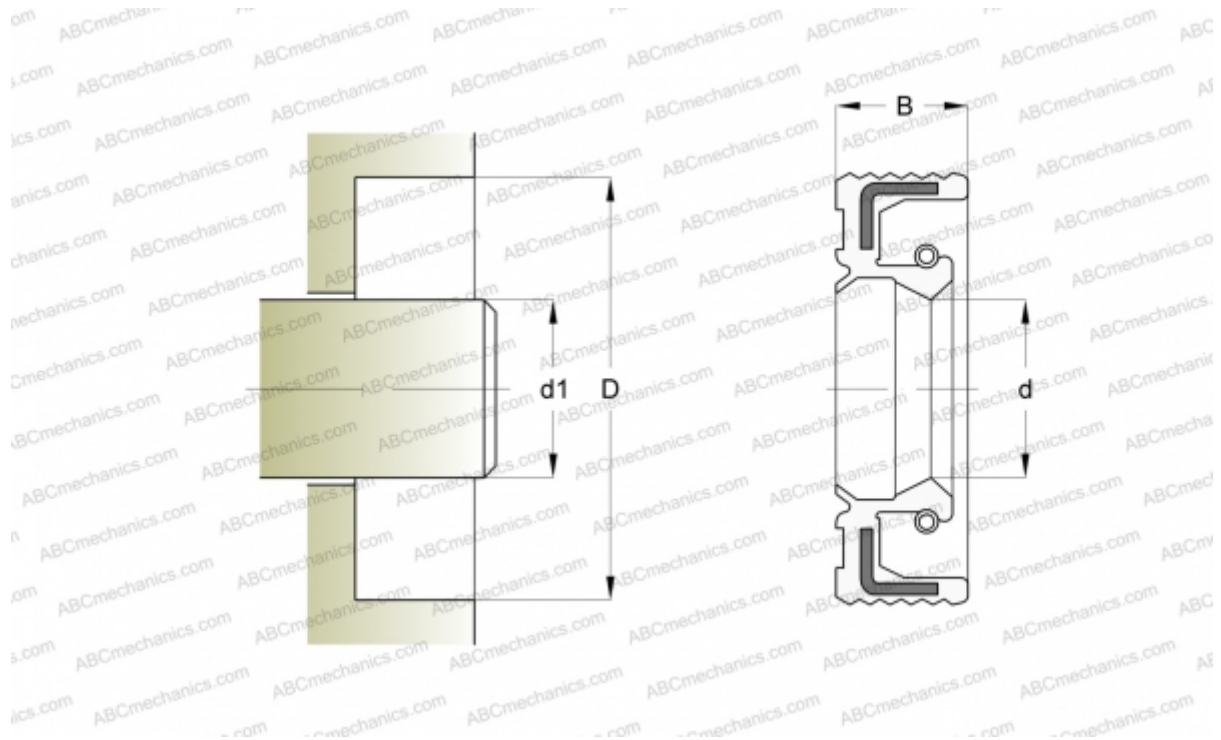


## 418674 SIMRIT

Radial shaft seals

TYPE: Radial shaft seals, With a rubber outside diameter, With spring-loaded sealing lip, Type BABSL, material 75 FKM 585 (SIMRIT)



### Technical specification

#### DIMENSIONS, MM

d1	32,000
d	32,000
D	47,000
B	6,000

**MANUFACTURER** [SIMRIT](#)

#### CALCULATION DATA

Operating temperature min	-25 °C
Operating temperature max	160 °C
Maximum shaft surface speed	10,000 m/s

#### REPLACES

BABSL 32-47-6 75 FKM 595 (418674)