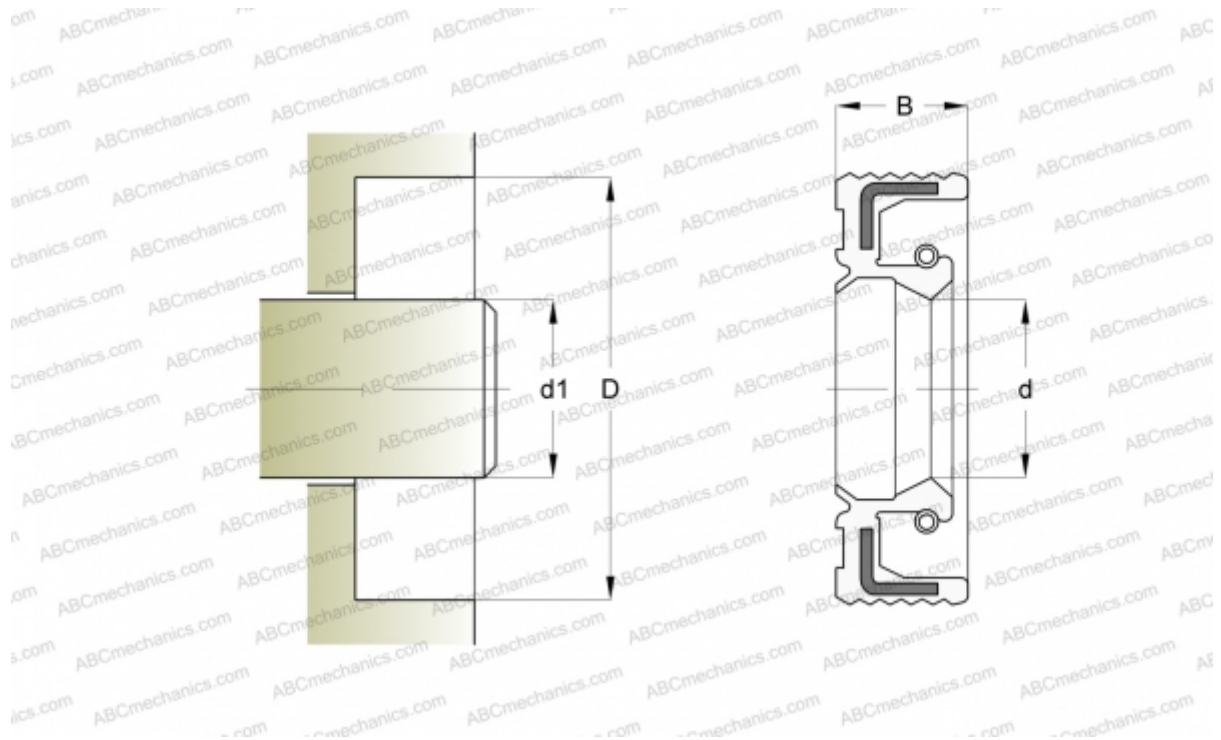


390171 SIMRIT

Radial shaft seals

TYPE: Radial shaft seals, With a rubber outside diameter, With spring-loaded sealing lip, Type BABSL, material 75 FKM 585 (SIMRIT)



Technical specification

DIMENSIONS, MM

| | |
|----|---------|
| d1 | 80,000 |
| d | 80,000 |
| D | 100,000 |
| B | 7,000 |

MANUFACTURER [SIMRIT](#)

CALCULATION DATA

| | |
|-----------------------------|------------|
| Operating temperature min | -25 °C |
| Operating temperature max | 160 °C |
| Maximum shaft surface speed | 10,000 m/s |

REPLACES

BABSL 80-100-7 75 FKM 595 (390171)