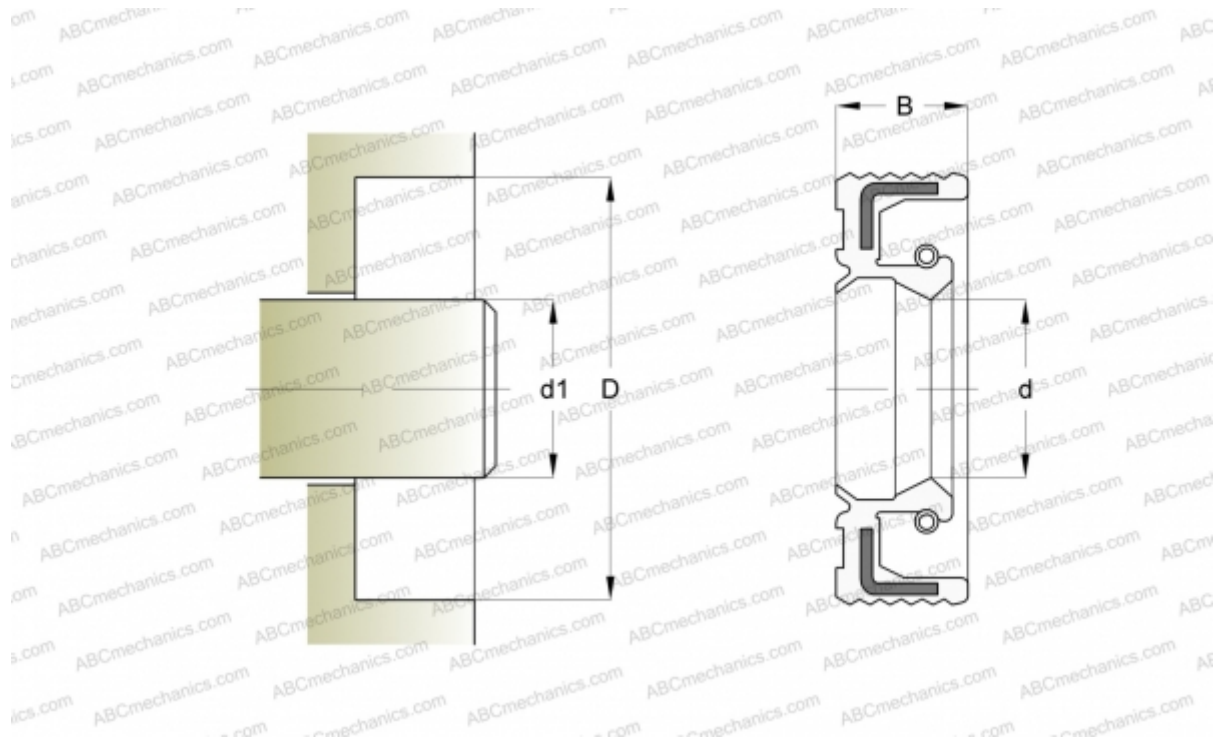


360177 SIMRIT

Radial shaft seals

TYPE: Radial shaft seals, With a rubber outside diameter, With spring-loaded sealing lip, Type BABSL, material 75 FKM 585 (SIMRIT)



Technical specification

DIMENSIONS, MM

d1	120,000
d	120,000
D	140,000
B	7,500

MANUFACTURER [SIMRIT](#)

CALCULATION DATA

Operating temperature min	-25 °C
Operating temperature max	160 °C
Maximum shaft surface speed	10,000 m/s

REPLACES

5 75 FKM 595 (360177)
