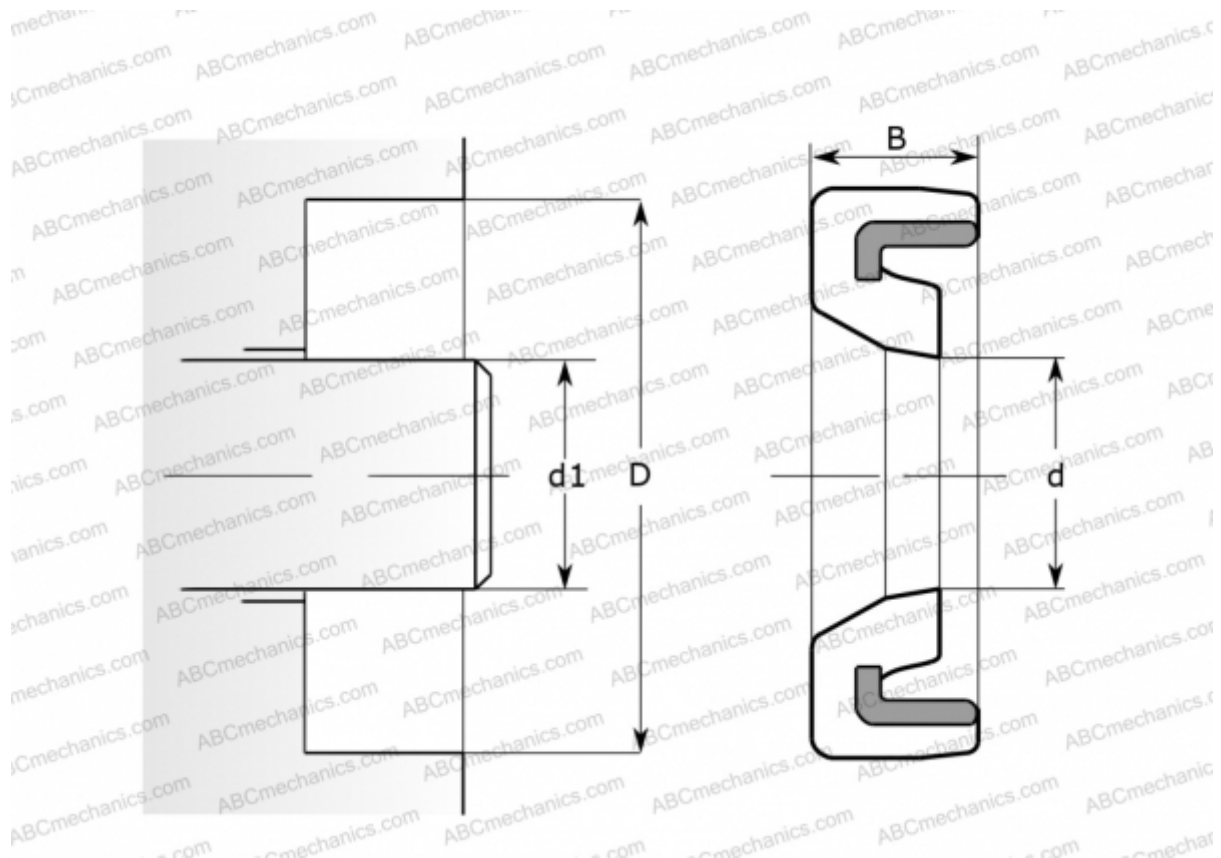


6317 SIMRIT

Radial shaft seals

TYPE: Radial shaft seals, With a rubber outside diameter, Springless sealing lip, Type BAOF, material 72 NBR 902 (SIMRIT)



Technical specification

DIMENSIONS, MM

d1	3,000
d	3,000
D	10,000
B	6,000

MANUFACTURER [SIMRIT](#)

CALCULATION DATA

Operating temperature min	-40 °C
Operating temperature max	100 °C
Maximum shaft surface speed	6,000 m/s

REPLACES

BAOF 3-10-6 72 NBR 902 (6317)