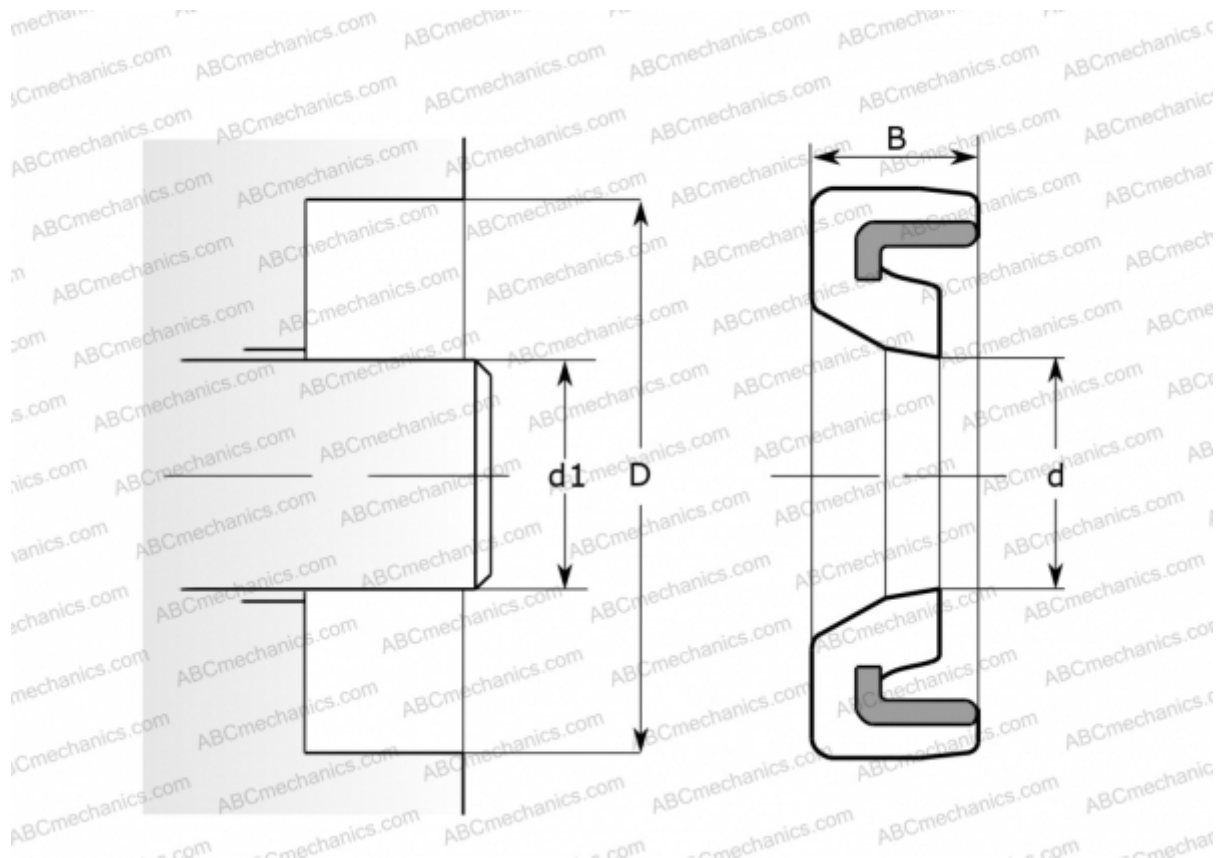


## 6681 SIMRIT

Radial shaft seals

TYPE: Radial shaft seals, With a rubber outside diameter, Springless sealing lip, Type BAOF, material 72 NBR 902 (SIMRIT)



### Technical specification

#### DIMENSIONS, MM

d1	14,000
d	14,000
D	20,000
B	5,000

**MANUFACTURER** [SIMRIT](#)

#### CALCULATION DATA

Operating temperature min	-40 °C
Operating temperature max	100 °C
Maximum shaft surface speed	6,000 m/s

#### REPLACES

BAOF 14-20-5 72 NBR 902 (6681)