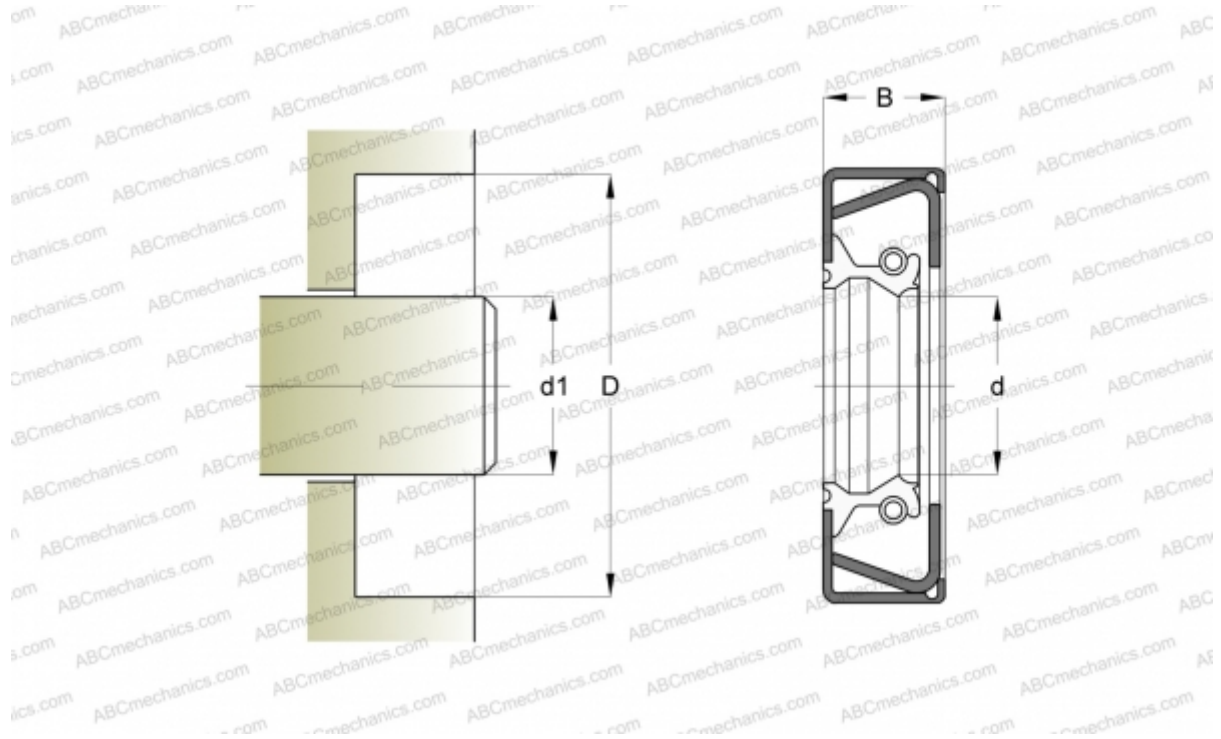


525423 SIMRIT

Radial shaft seals

TYPE: Radial shaft seals, Special designs, Type MSS-1, material 75 FKM 585 (SIMRIT)



Technical specification

DIMENSIONS, MM

| | |
|-------|--------|
| d_1 | 72,000 |
| d | 72,000 |
| D | 95,000 |
| B | 12,000 |

MANUFACTURER [SIMRIT](#)

CALCULATION DATA

| | |
|-----------------------------|-----------|
| Operating temperature min | -25 °C |
| Operating temperature max | 160 °C |
| Pressure differential max | 0,050 Mpa |
| Maximum shaft surface speed | 6,000 m/s |

REPLACES

MSS-1 72-95-12 75 FKM 585 (525423)