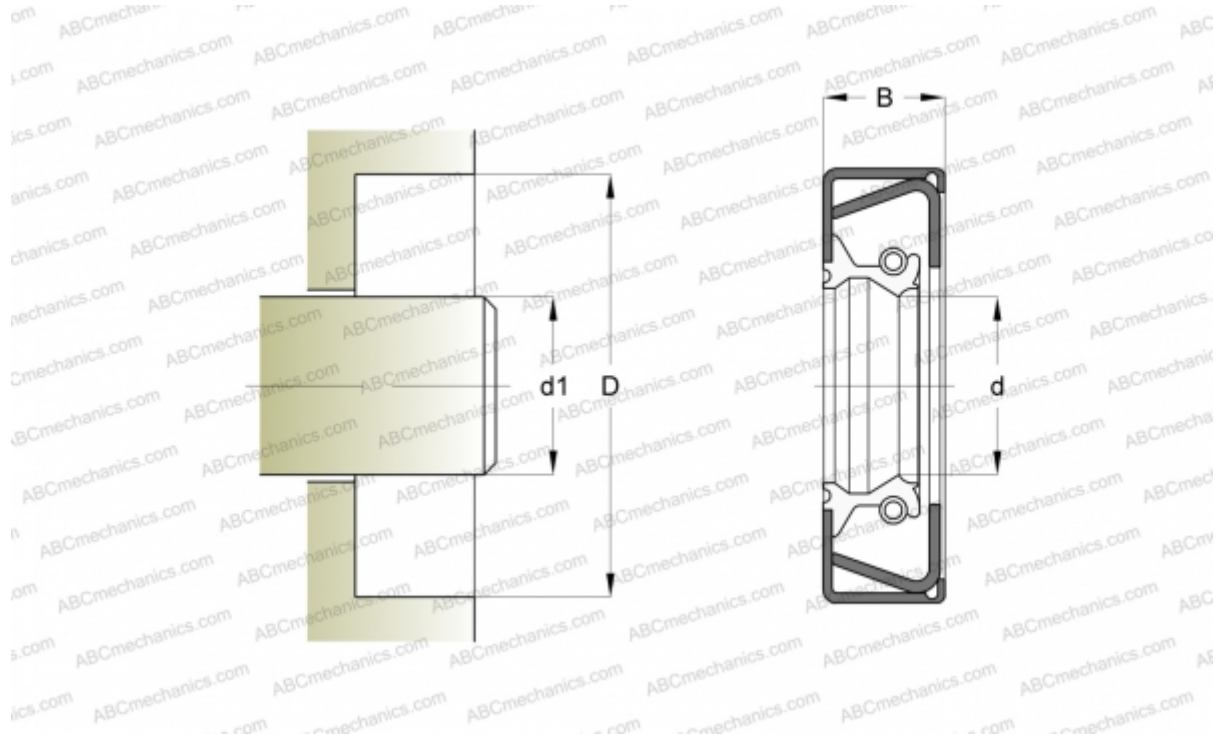


## 525433 SIMRIT

Radial shaft seals

TYPE: Radial shaft seals, Special designs, Type MSS-1, material 75 FKM 585 (SIMRIT)



### Technical specification

#### DIMENSIONS, MM

$d_1$	108,000
$d$	108,000
$D$	140,000
$B$	15,000

**MANUFACTURER** [SIMRIT](#)

#### CALCULATION DATA

Operating temperature min	-25 °C
Operating temperature max	160 °C
Pressure differential max	0,050 Mpa
Maximum shaft surface speed	6,000 m/s

#### REPLACES

MSS-1 108-140-15 75 FKM 585 (525433)