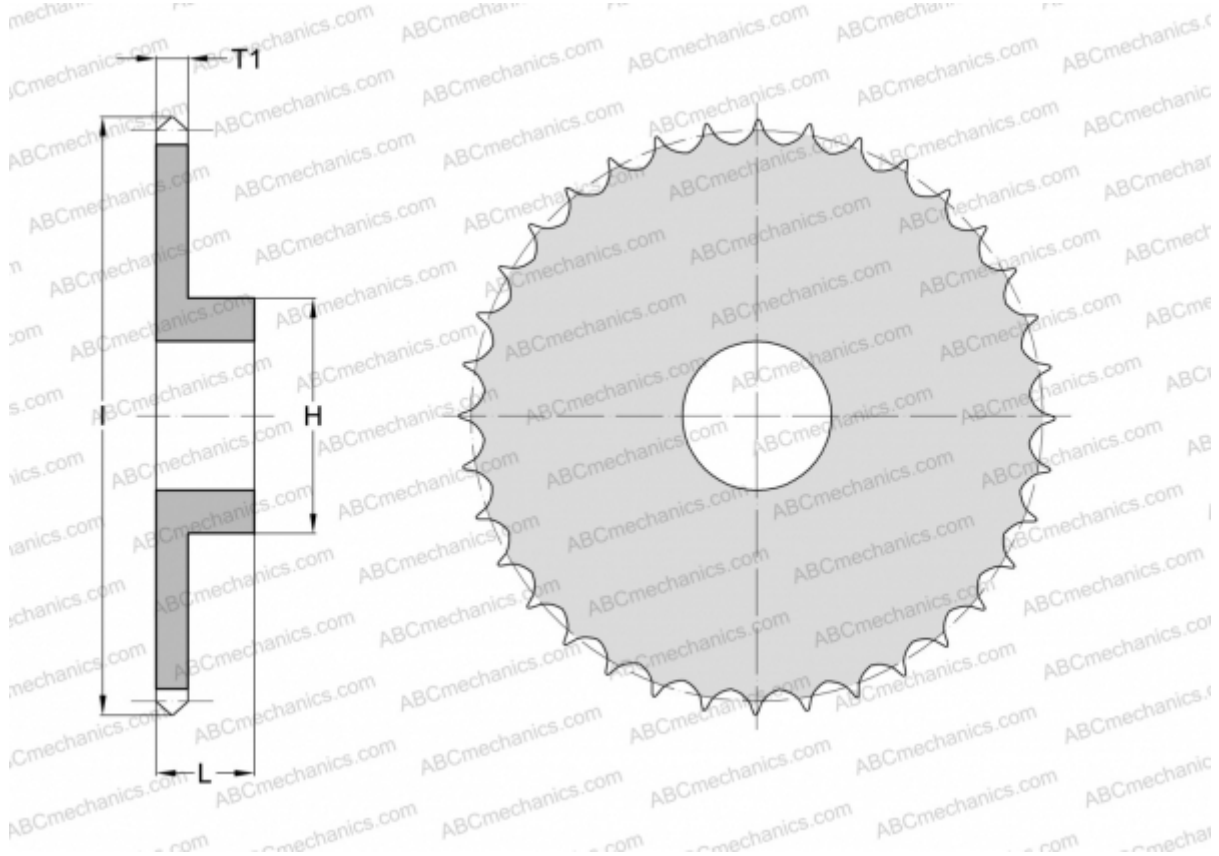


## PHS 100-1B10 SKF

ANSI sprockets

TYPE: Simplex, Pilot bore, hub on one side, Standard ANSI (SKF)



### Technical specification

#### DIMENSIONS, MM

Pitch, p	31,750
Dimensions bore, min	25,400
Dimensions bore, max	47,625
Hub, H	82,550
Thickness, T1	17,570
l	116,840
Number of teeth	10

**WEIGHT, KG** 1,845

**MANUFACTURER** [SKF](#)