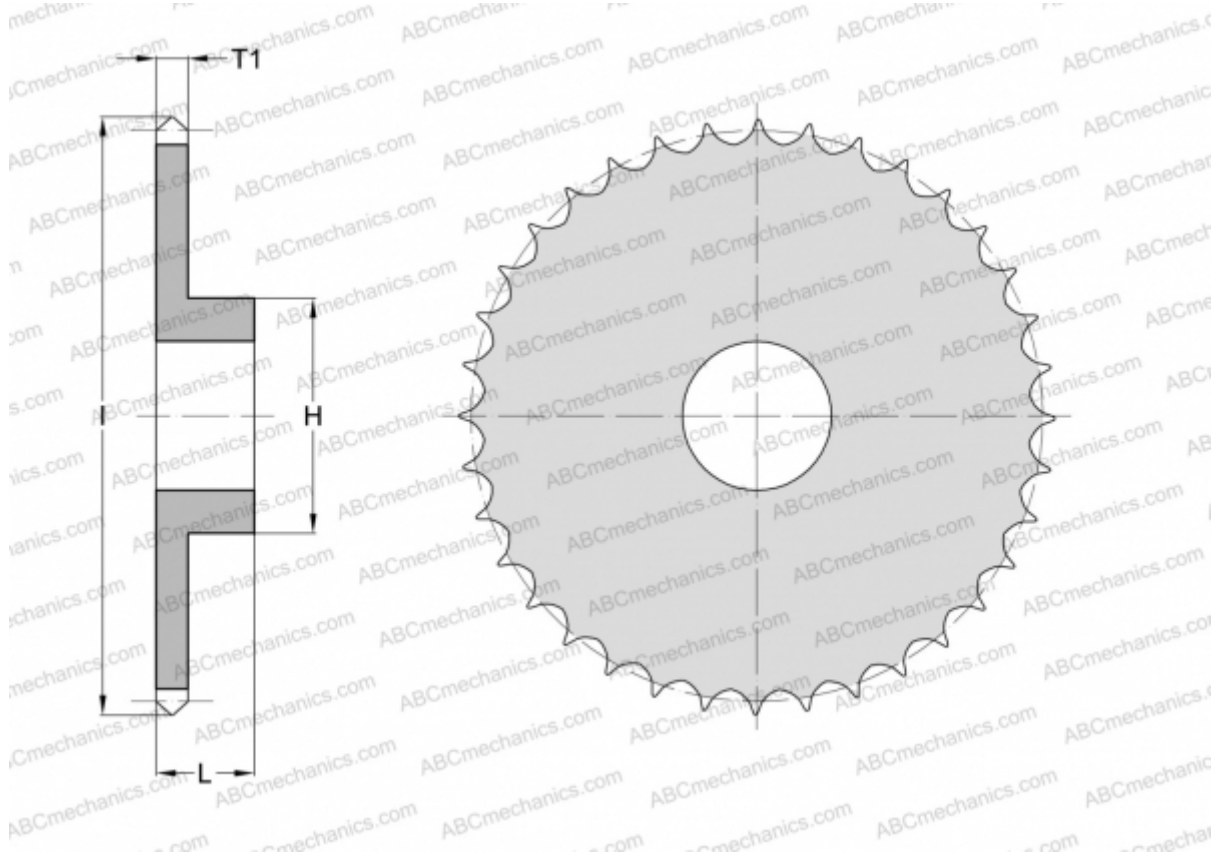


## PHS 100-1B11 SKF

ANSI sprockets

TYPE: Simplex, Pilot bore, hub on one side, Standard ANSI (SKF)



### Technical specification

#### DIMENSIONS, MM

Pitch	31,750
Dimensions bore, min	25,400
Dimensions bore, max	57,150
Hub, H	90,487
Hub, L	47,625
Thickness, T1	17,570
I	127,254
Number of teeth	11

**WEIGHT, KG** 2,385

**MANUFACTURER** [SKF](#)