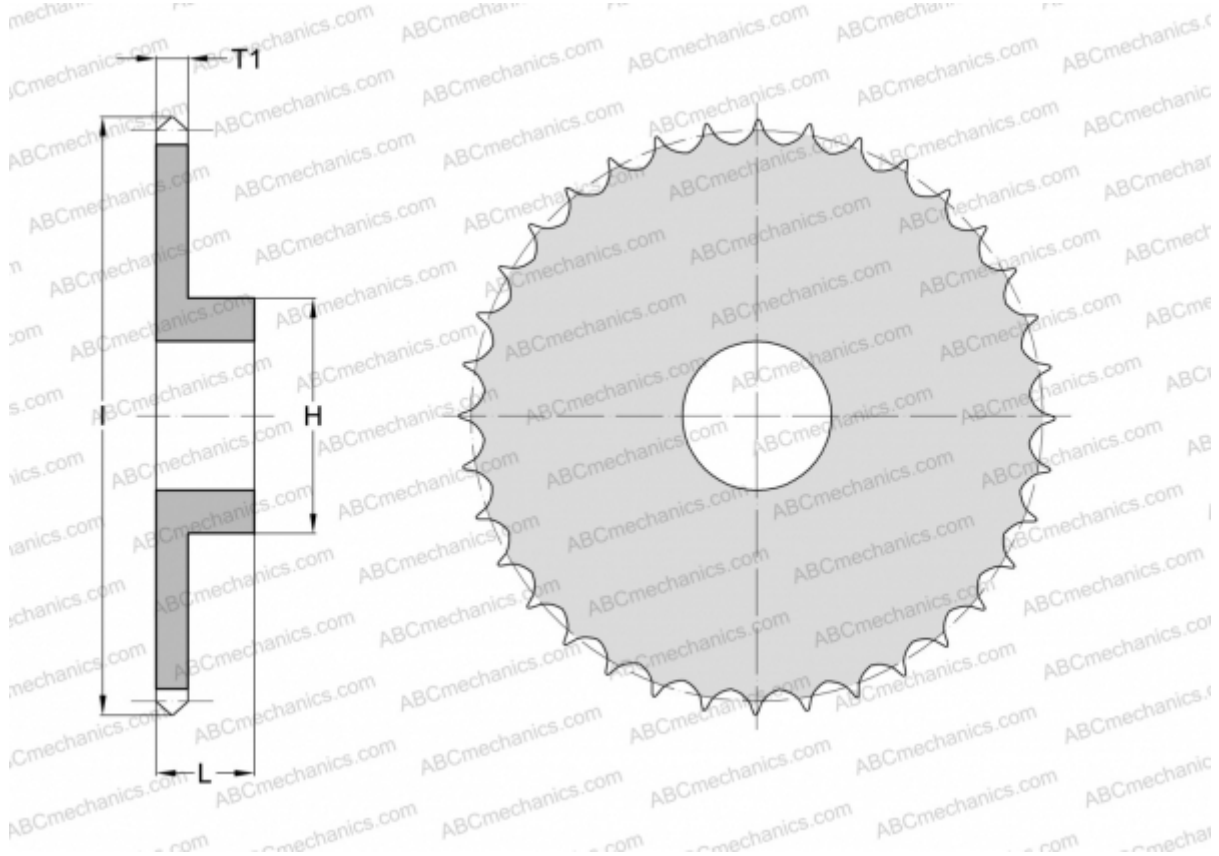


PHS 100-1B12 SKF

ANSI sprockets

TYPE: Simplex, Pilot bore, hub on one side, Standard ANSI (SKF)



Technical specification

DIMENSIONS, MM

Pitch, p	31,750
Dimensions bore, min	25,400
Dimensions bore, max	57,150
Hub, H	101,600
Thickness, T1	17,570
l	137,668
Number of teeth	12

WEIGHT, KG 2,880

MANUFACTURER [SKF](#)