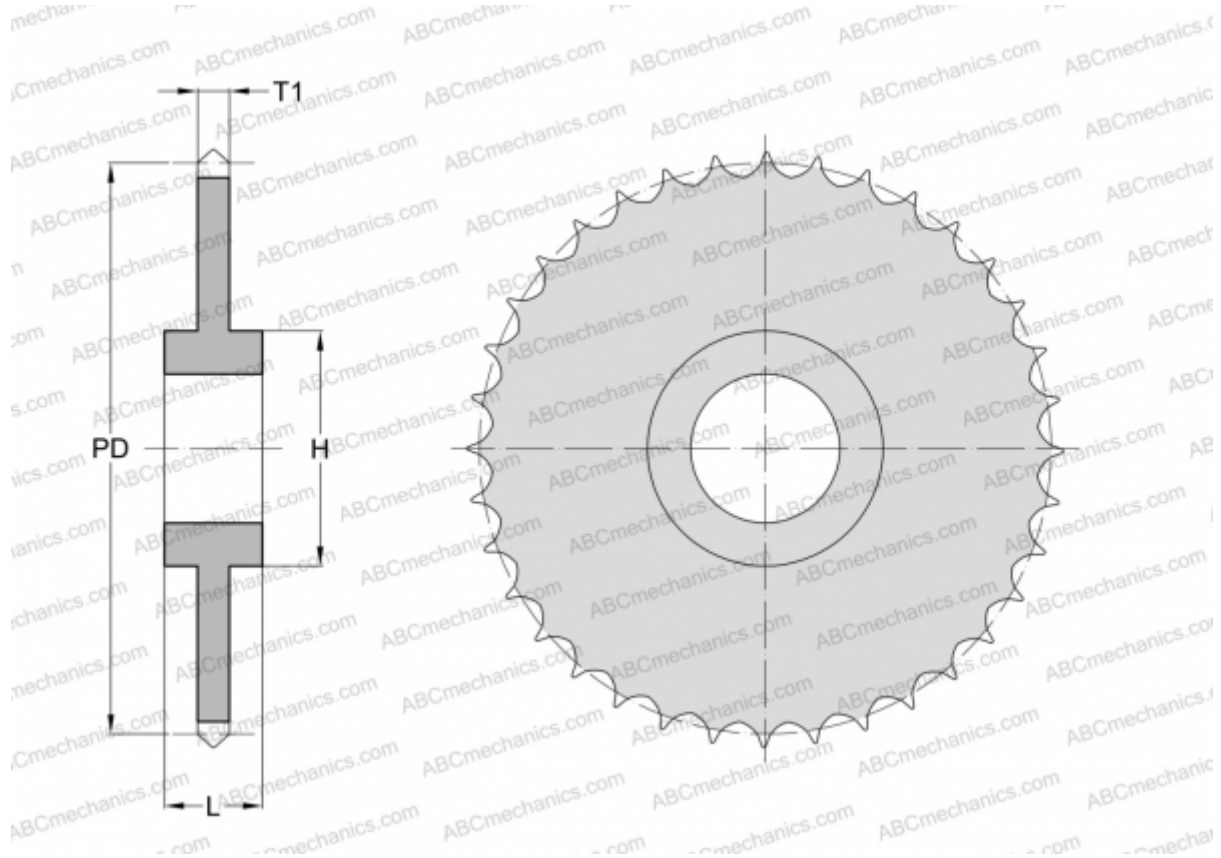


## PHS 16B-1C72 SKF

Metric sprockets

TYPE: Simplex, Pilot bore, hub on two side, Standard BS/ISO (SKF)



### Technical specification

#### DIMENSIONS, MM

Pitch, p	25,400
Pitch diameter, PD	582,320
Dimensions bore, min	25,000
Dimensions bore, max	108,000
Hub, H	140,000
Thickness, T1	16,180
Number of teeth	72

**WEIGHT, KG** 30,140

**MANUFACTURER** [SKF](#)