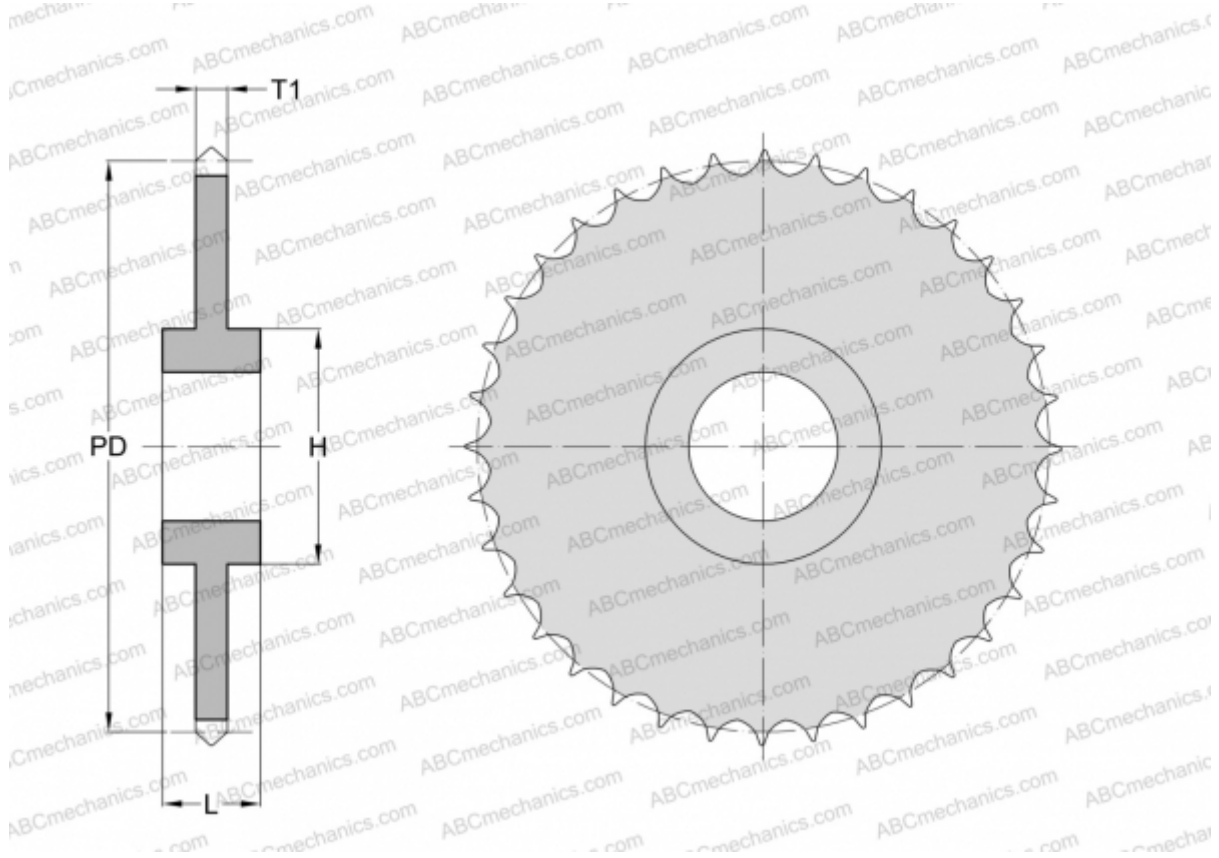


## PHS 20B-1C114 SKF

Metric sprockets

TYPE: Simplex, Pilot bore, hub on two side, Standard BS/ISO (SKF)



### Technical specification

#### DIMENSIONS, MM

Pitch	31,750
Pitch diameter, PD	1152,270
Dimensions bore, min	25,000
Dimensions bore, max	133,000
Hub, H	150,000
Hub, L	90,000
Thickness, T1	18,590
Number of teeth	114

**WEIGHT, KG** 124,400

**MANUFACTURER** [SKF](#)