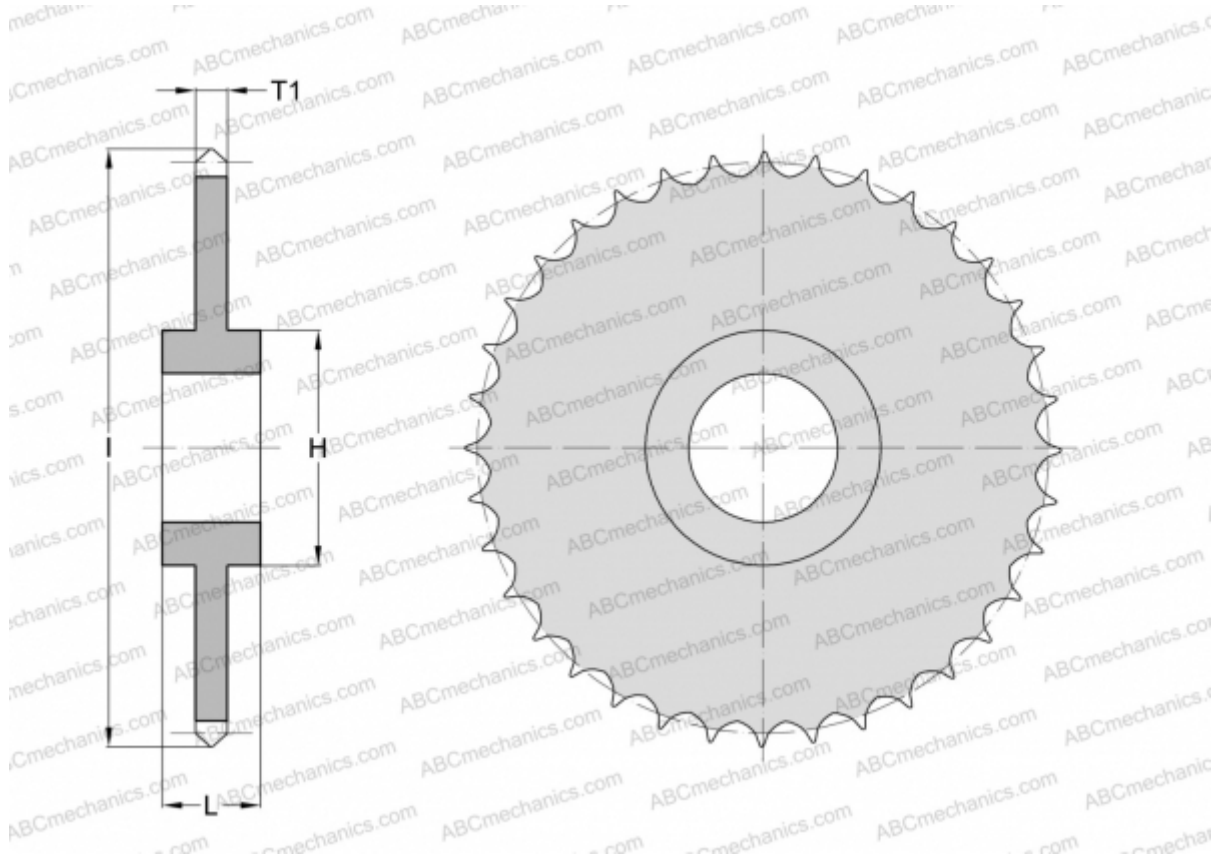


## PHS 100-1C54 SKF

ANSI sprockets

TYPE: Simplex, Pilot bore, hub on two side, Standard ANSI (SKF)



### Technical specification

#### DIMENSIONS, MM

Pitch, p	31,750
Dimensions bore, min	38,100
Dimensions bore, max	101,600
Hub, H	152,400
Thickness, T1	17,570
L	564,134
Number of teeth	54

**WEIGHT, KG** 35,100

**MANUFACTURER** [SKF](#)