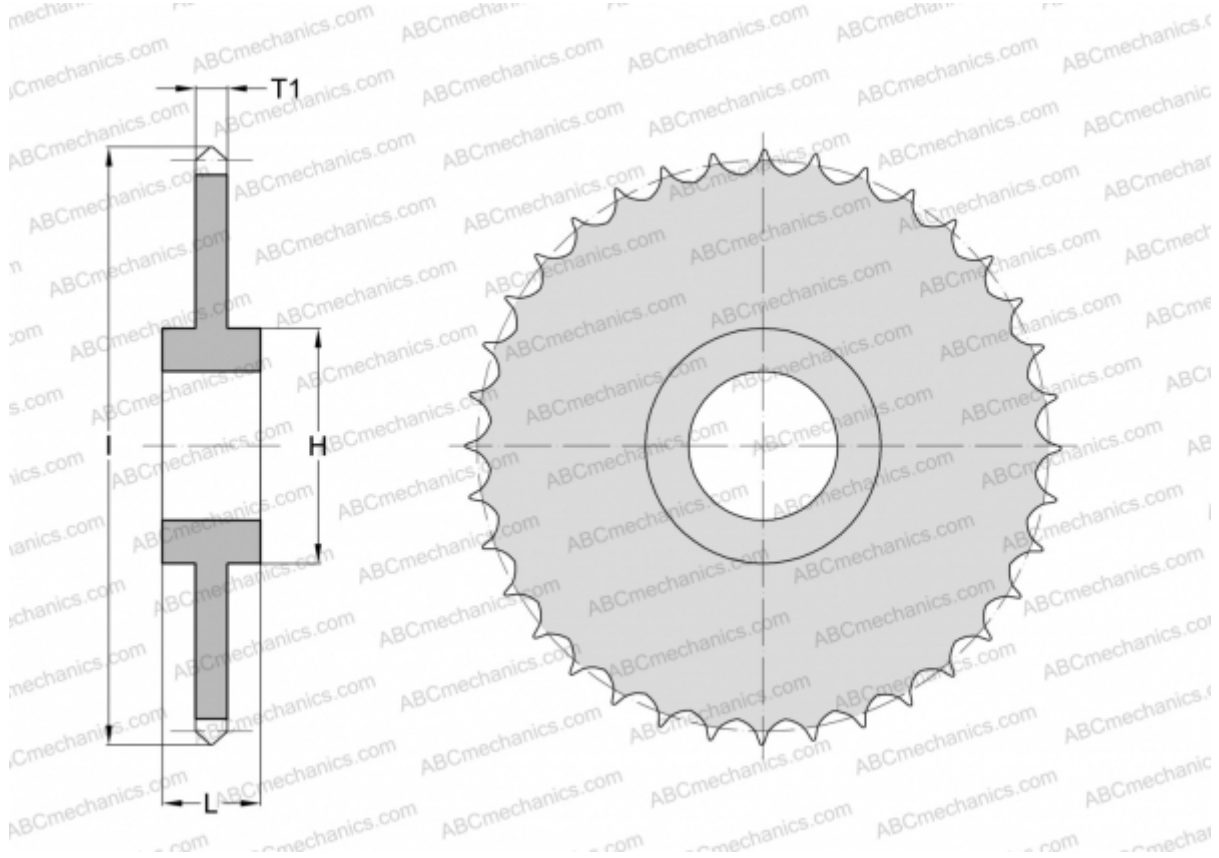


PHS 100-1C60 SKF

ANSI sprockets

TYPE: Simplex, Pilot bore, hub on two side, Standard ANSI (SKF)



Technical specification

DIMENSIONS, MM

Pitch, p	31,750
Dimensions bore, min	38,100
Dimensions bore, max	101,600
Hub, H	152,400
Thickness, T1	17,570
L	624,840
Number of teeth	60

WEIGHT, KG 40,050

MANUFACTURER [SKF](#)