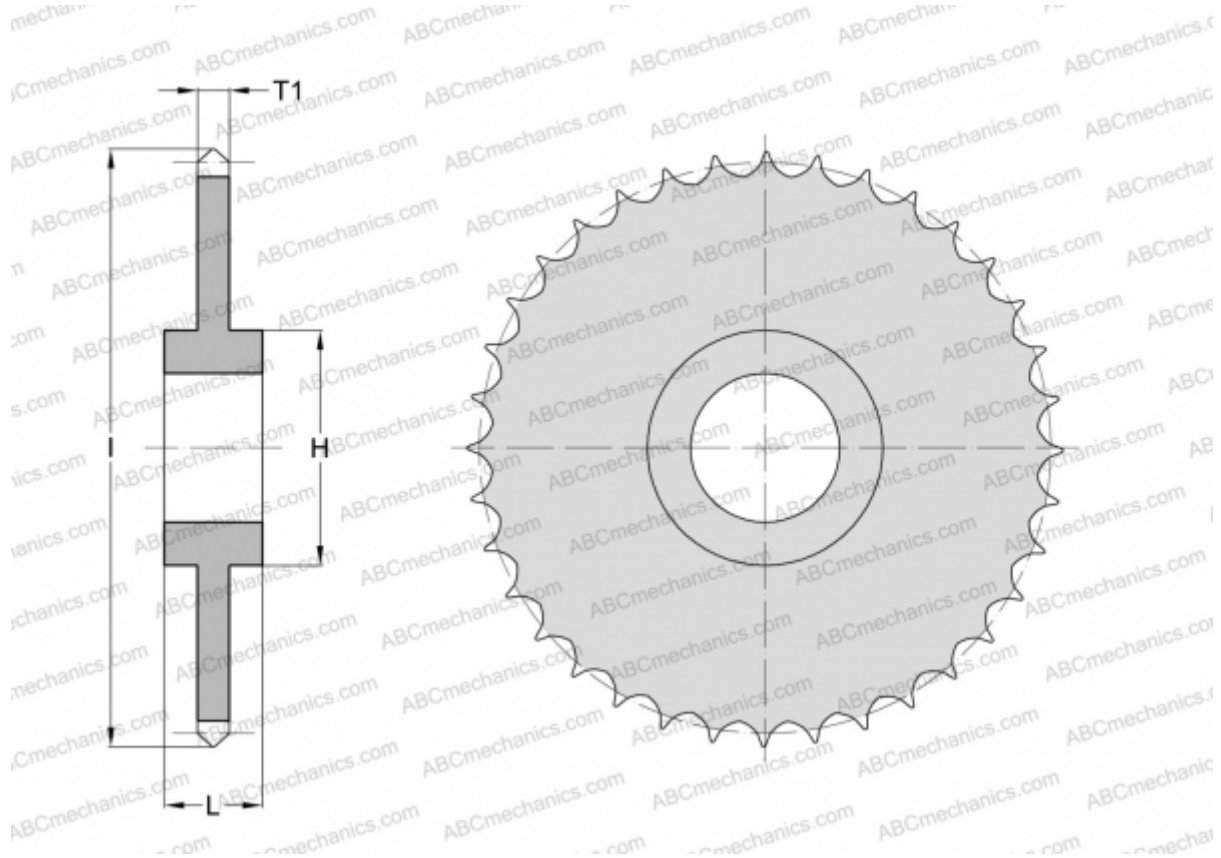


## PHS 100-1C76 SKF

ANSI sprockets

TYPE: Simplex, Pilot bore, hub on two side, Standard ANSI (SKF)



### Technical specification

#### DIMENSIONS, MM

Pitch	31,750
Dimensions bore, min	38,100
Dimensions bore, max	133,350
Hub, H	177,800
Hub, L	95,250
Thickness, T1	17,570
l	786,714
Number of teeth	76

**WEIGHT, KG** 64,350

**MANUFACTURER** [SKF](#)