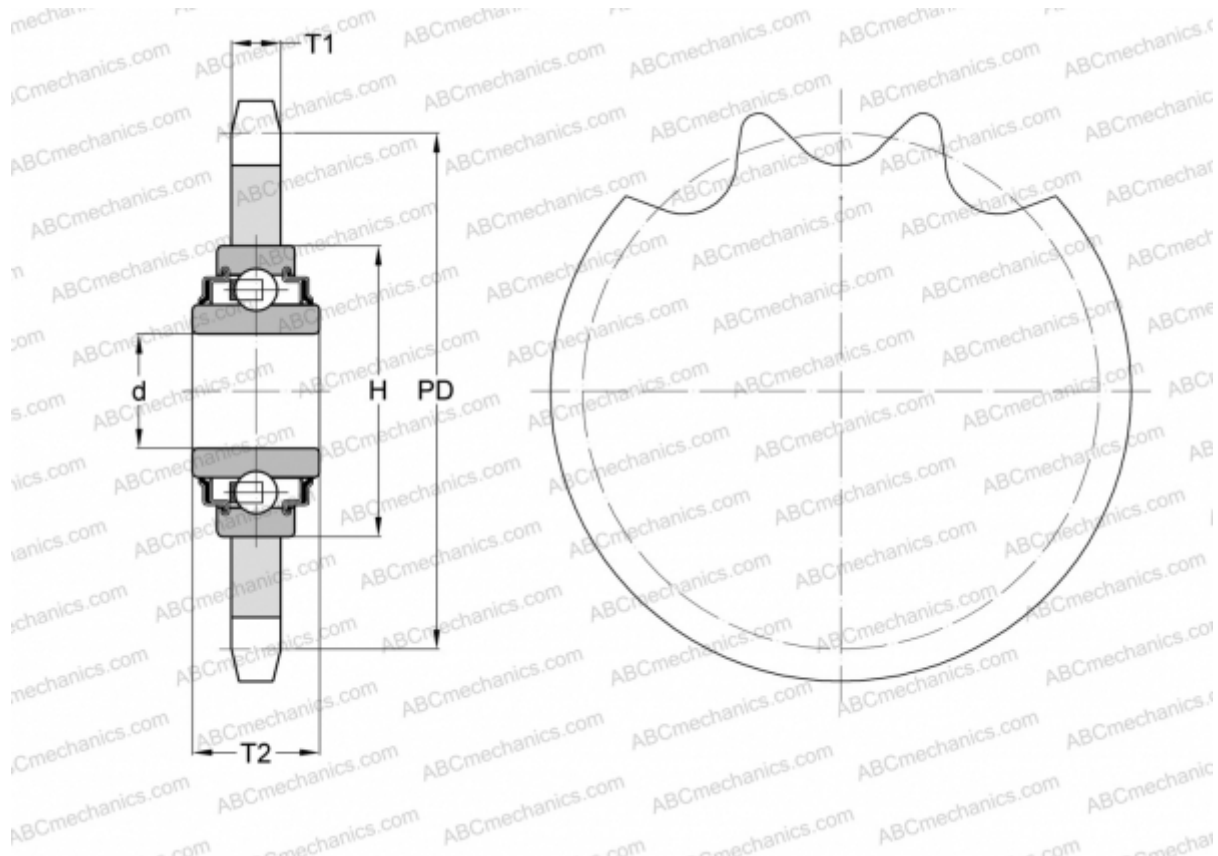


## KSR16-LO-08-10-16-15 INA

Roller chain idler sprocket unit

TYPE: Simplex, Roller chain idler sprocket units, Sprocket made from steel or sintered iron, type KSR...-LO (INA)



### Technical specification

#### DIMENSIONS, MM

|                      |        |
|----------------------|--------|
| Pitch, p             | 12,700 |
| Pitch diameter, PD   | 65,100 |
| Dimensions bore, min | 16,200 |
| Dimensions bore, max | 16,200 |
| Hub, H               | 40,000 |
| Thickness, T1        | 7,000  |
| Thickness, T2        | 18,300 |
| Number of teeth      | 16     |

**WEIGHT, KG** 0,140

**MANUFACTURER** [INA](http://www.ina.com)