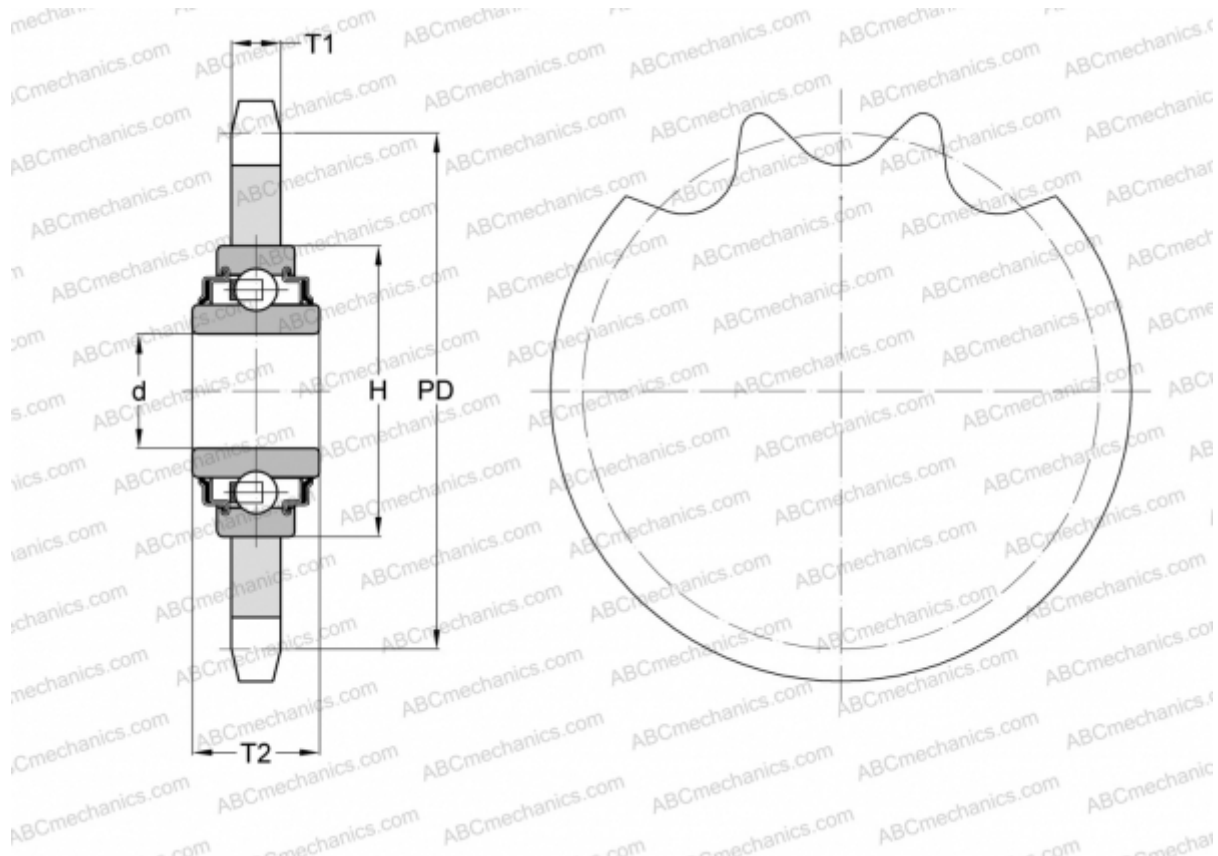


KSR16-LO-10-10-17-09 INA

Roller chain idler sprocket unit

TYPE: Simplex, Roller chain idler sprocket units, Sprocket made from steel or sintered iron, type KSR...-LO (INA)



Technical specification

DIMENSIONS, MM

Pitch, p	15,875
Pitch diameter, PD	86,400
Dimensions bore, min	16,200
Dimensions bore, max	16,200
Hub, H	40,000
Thickness, T1	8,700
Thickness, T2	18,300
Number of teeth	17

WEIGHT, KG 0,320

MANUFACTURER [INA](https://www.ina.com)