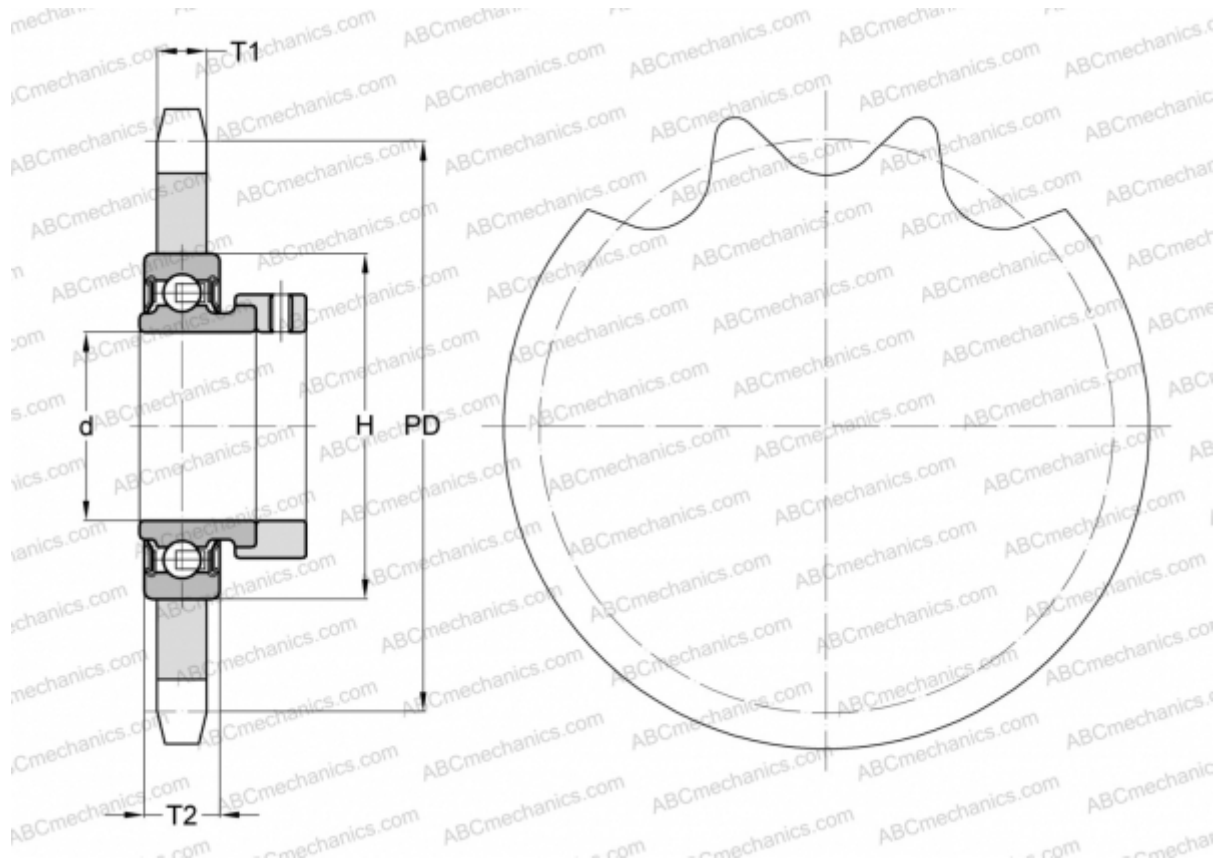


## KSR15-B0-12-10-13-08 INA

Roller chain idler sprocket unit

TYPE: Simplex, Roller chain idler sprocket units, Sprocket made from steel or sintered iron, type KSR...-BO (INA)



### Technical specification

#### DIMENSIONS, MM

Pitch, p	19,050
Pitch diameter, PD	79,600
Dimensions bore, min	15,000
Dimensions bore, max	15,000
Hub, H	40,000
Thickness, T1	10,500
Thickness, T2	12,000
Number of teeth	13

**WEIGHT, KG** 0,400

**MANUFACTURER** [INA](#)