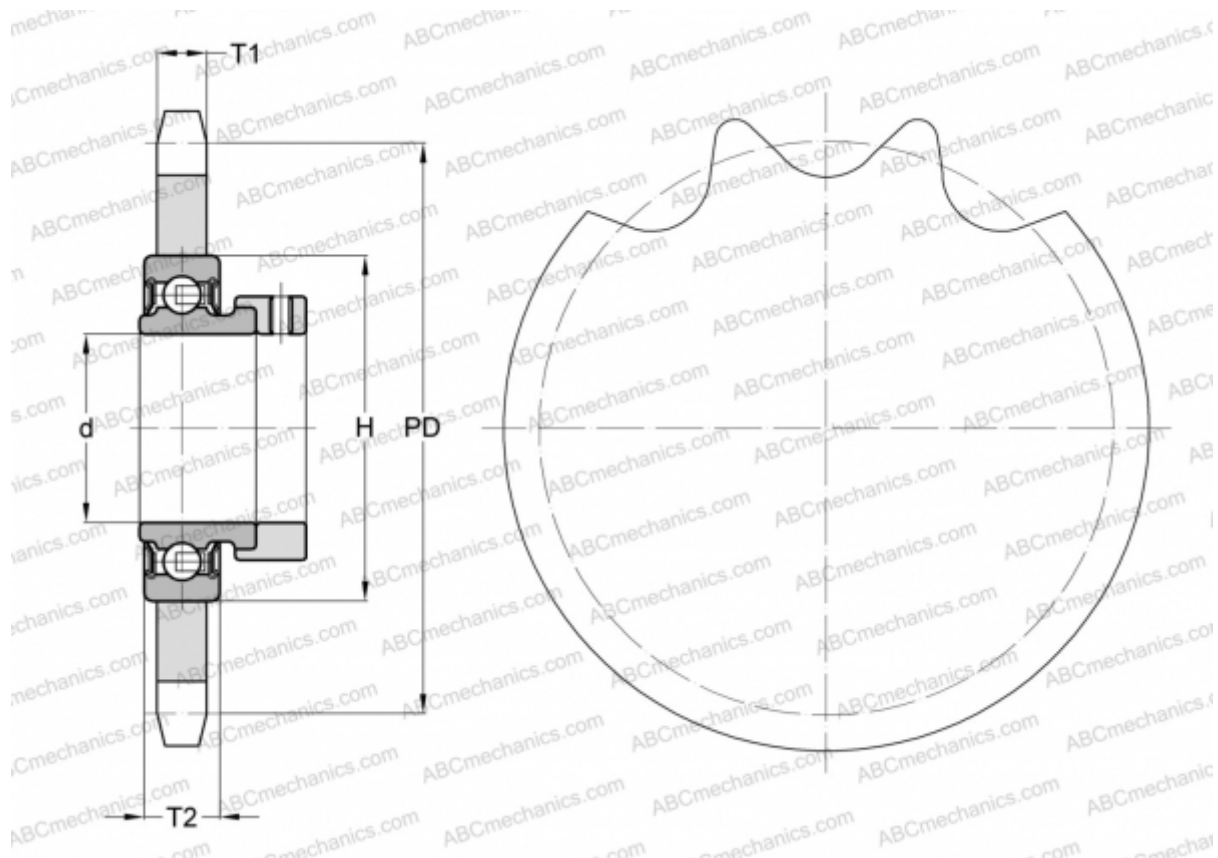


KSR20-B0-12-10-15-16 INA

Roller chain idler sprocket unit

TYPE: Simplex, Roller chain idler sprocket units, Sprocket made from steel or sintered iron, type KSR...-BO (INA)



Technical specification

DIMENSIONS, MM

Pitch, p	19,050
Pitch diameter, PD	91,600
Dimensions bore, min	20,000
Dimensions bore, max	20,000
Hub, H	47,000
Thickness, T1	10,500
Thickness, T2	14,000
Number of teeth	15

WEIGHT, KG 0,470

MANUFACTURER [INA](#)