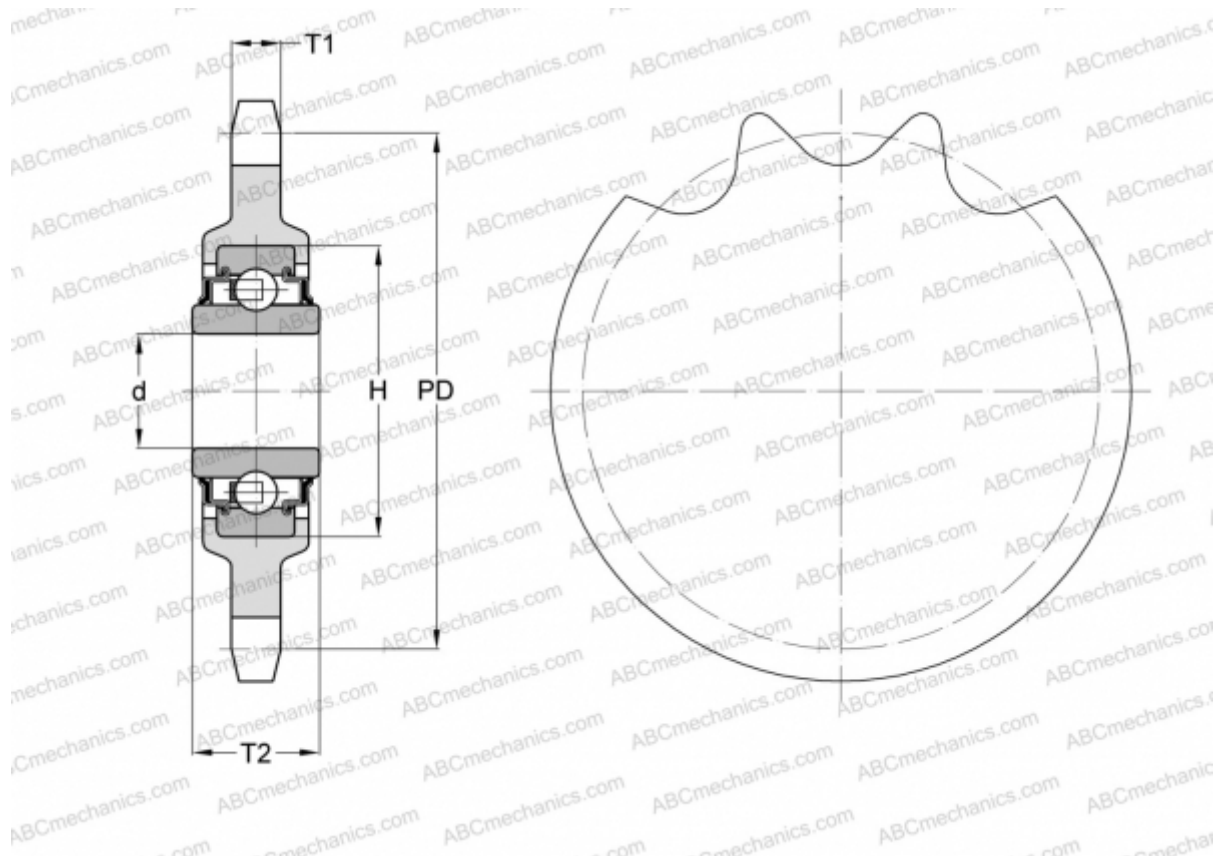


KSR16-L0-08-10-16-22 INA

Roller chain idler sprocket unit

TYPE: Simplex, Roller chain idler sprocket units, Sprocket made from polyamide, type KSR.-L0.-22 (INA)



Technical specification

DIMENSIONS, MM

| | |
|----------------------|--------|
| Pitch, p | 12,700 |
| Pitch diameter, PD | 65,100 |
| Dimensions bore, min | 16,200 |
| Dimensions bore, max | 16,200 |
| Hub, H | 40,000 |
| Thickness, T1 | 7,000 |
| Thickness, T2 | 18,300 |
| Number of teeth | 16 |

WEIGHT, KG 0,100

MANUFACTURER [INA](https://www.ina.com)