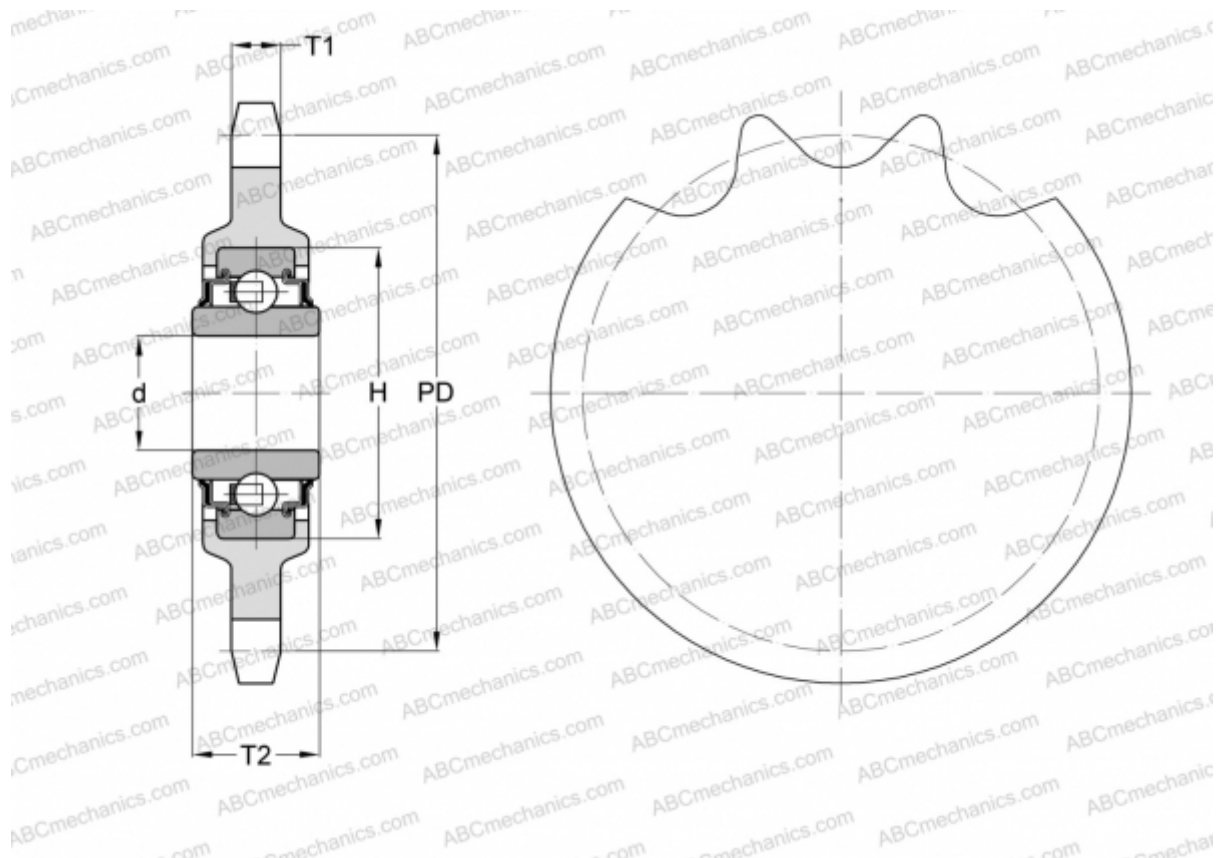


## KSR16-L0-12-10-15-22 INA

Roller chain idler sprocket unit

TYPE: Simplex, Roller chain idler sprocket units, Sprocket made from polyamide, type KSR.-L0.-22 (INA)



### Technical specification

#### DIMENSIONS, MM

Pitch, p	19,050
Pitch diameter, PD	91,600
Dimensions bore, min	16,200
Dimensions bore, max	16,200
Hub, H	40,000
Thickness, T1	10,500
Thickness, T2	18,300
Number of teeth	15

**WEIGHT, KG** 0,360

**MANUFACTURER** [INA](https://www.ina.com)