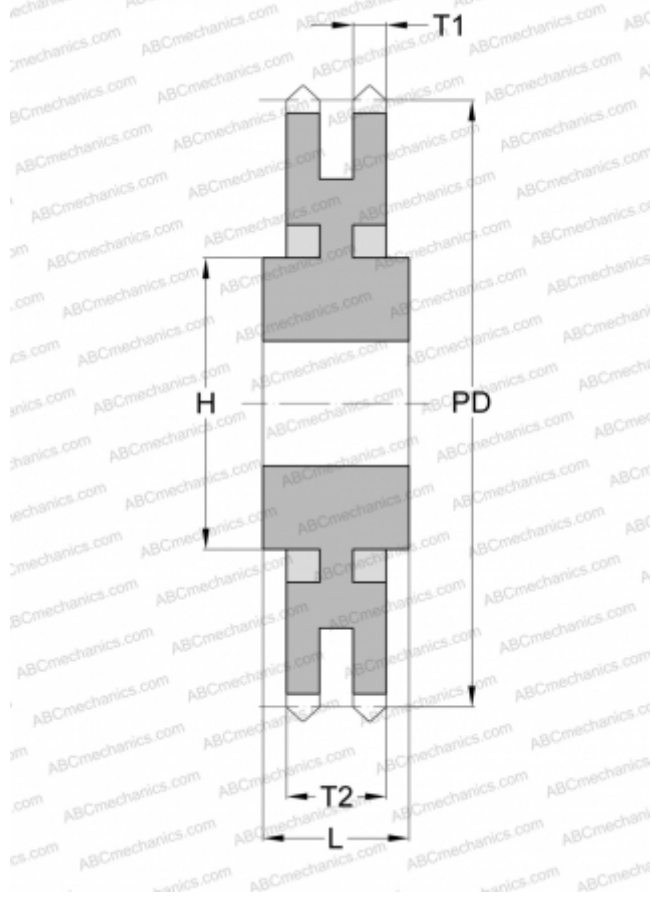


PHS 12B-2C96 SKF

Metric sprockets

TYPE: Double simplex, Pilot bore, hub on two side, Standard BS/ISO (SKF)



Technical specification

DIMENSIONS, MM

Pitch, p	19,050
Pitch diameter, PD	582,230
Dimensions bore, min	25,000
Dimensions bore, max	93,000
Hub, H	140,000
Thickness, T1	10,870
Thickness, T2	30,330
Number of teeth	96

WEIGHT, KG

35,820

MANUFACTURER

[SKF](#)