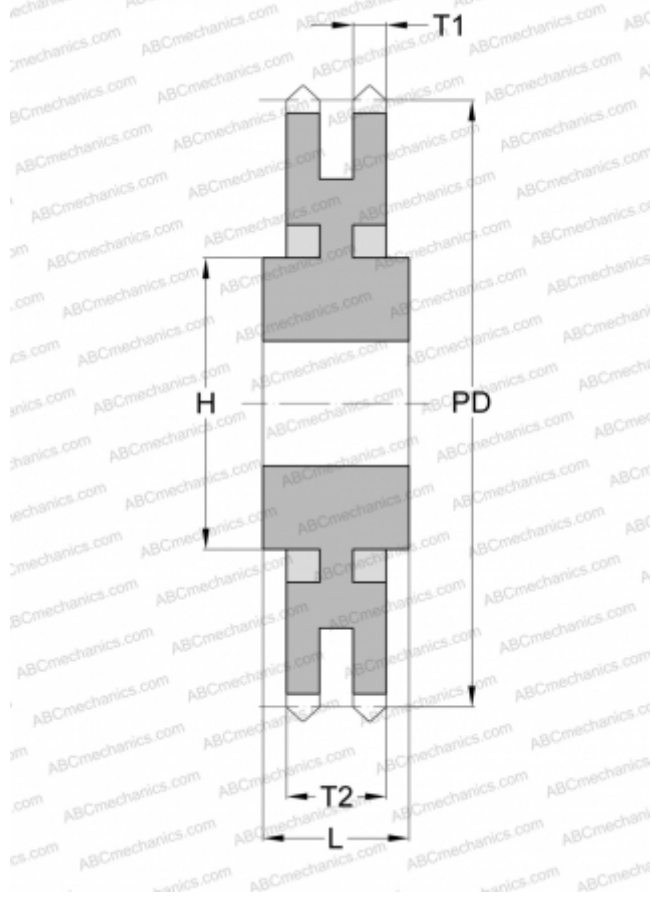


## PHS 16B-2C57 SKF

Metric sprockets

TYPE: Double simplex, Pilot bore, hub on two side, Standard BS/ISO (SKF)



### Technical specification

#### DIMENSIONS, MM

|                      |         |
|----------------------|---------|
| Pitch, p             | 25,400  |
| Pitch diameter, PD   | 461,070 |
| Dimensions bore, min | 25,000  |
| Dimensions bore, max | 85,000  |
| Hub, H               | 150,000 |
| Thickness, T1        | 15,830  |
| Thickness, T2        | 47,710  |
| Number of teeth      | 57      |

#### WEIGHT, KG

34,500

#### MANUFACTURER

[SKF](#)