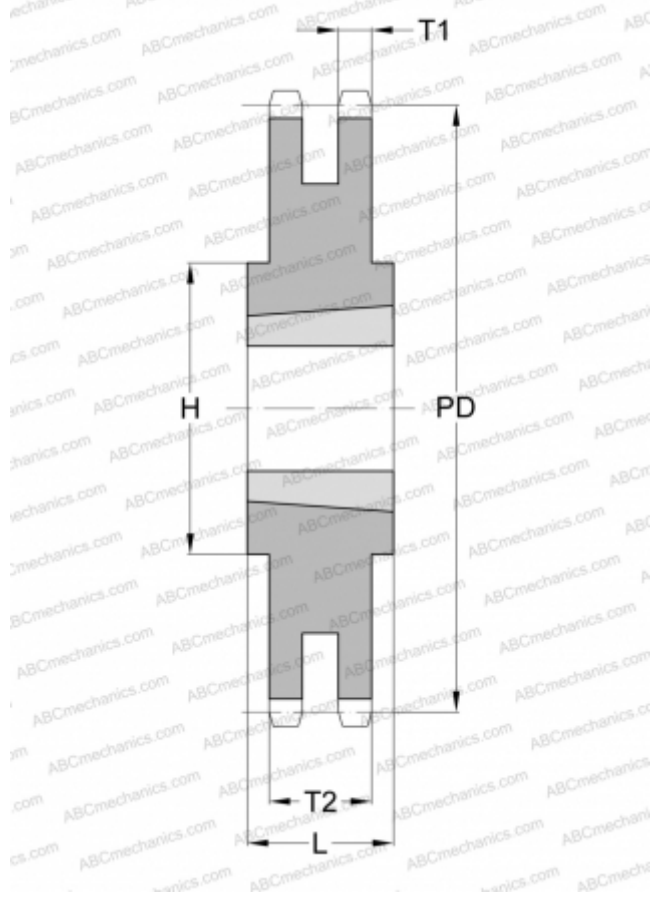


## PHS 08B-2TB114 SKF

Metric sprockets

TYPE: Double simplex, Taper bushed, hub on two side, Standard BS/ISO (SKF)



### Technical specification

#### DIMENSIONS, MM

Pitch, p	12,700
Pitch diameter, PD	460,900
Dimensions bore, min	16,000
Dimensions bore, max	63,500
Hub, H	110,000
Thickness, T1	7,240
Thickness, T2	21,130
Number of teeth	114
Number of sleeve	2517

#### WEIGHT

Weight, kg	10,500
Weight sleeve, kg	1,300

#### MANUFACTURER

[SKF](#)