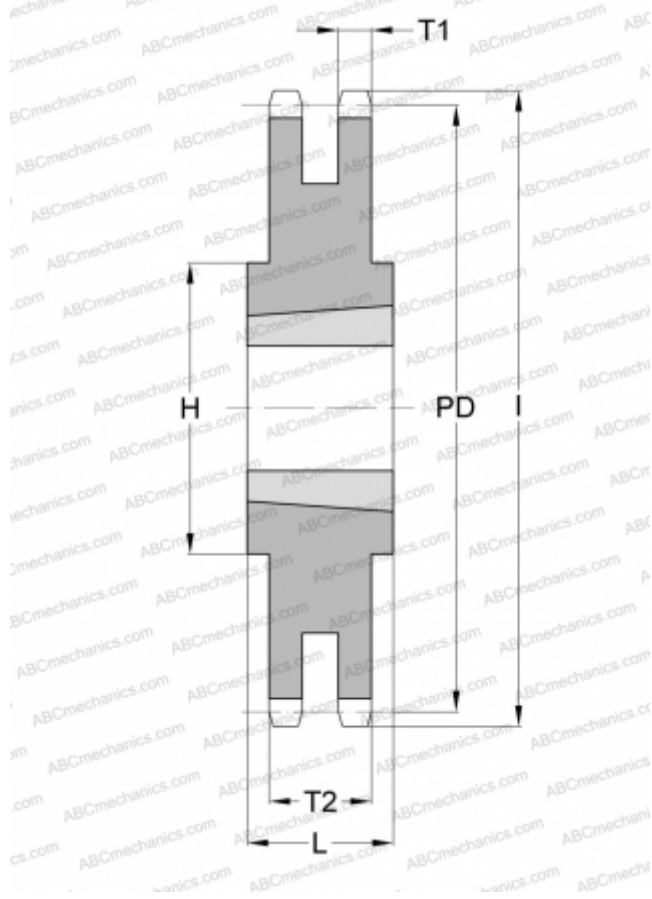


PHS 40-2TB102 SKF

ANSI sprockets

TYPE: Double simplex, Taper bushed, hub on two side, Standard ANSI (SKF)



Technical specification

DIMENSIONS, MM

Pitch, p	12,700
Pitch diameter, PD	412,394
Dimensions bore, min	19,050
Dimensions bore, max	63,500
Hub, H	107,950
Thickness, T1	6,990
l	419,837
Number of teeth	102
Number of sleeve	2517

WEIGHT

Weight, kg	36,800
Weight sleeve, kg	3,500

MANUFACTURER

[SKF](#)