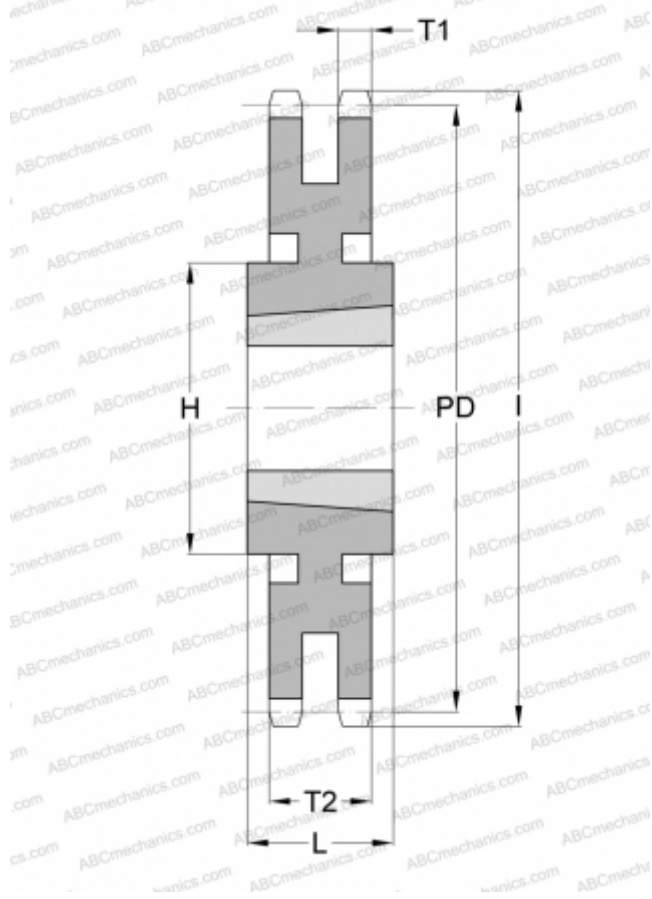


PHS 60-2TB60 SKF

ANSI sprockets

TYPE: Double simplex, Taper bushed, hub on two side, Standard ANSI, type C1 (SKF)



Technical specification

DIMENSIONS, MM

Pitch, p	19,050
Pitch diameter, PD	363,982
Dimensions bore, min	19,050
Dimensions bore, max	38,100
Hub, H	107,950
Thickness, T1	11,280
L	374,929
Number of teeth	60
Number of sleeve	2517

WEIGHT

Weight, kg	32,500
Weight sleeve, kg	33,500

MANUFACTURER

[SKF](#)