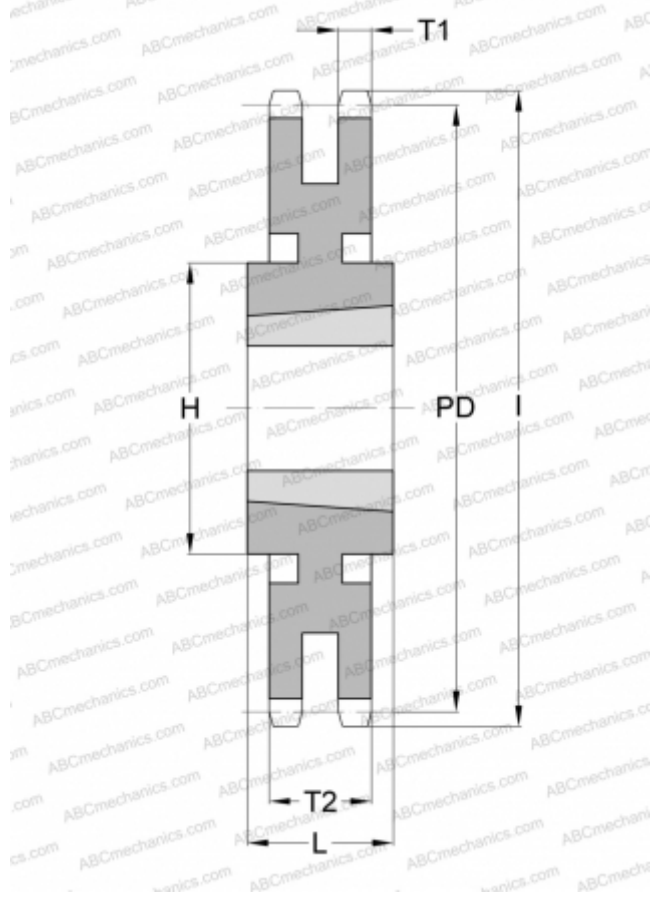


## PHS 60-2TB95 SKF

ANSI sprockets

TYPE: Double simplex, Taper bushed, hub on two side, Standard ANSI, type C1 (SKF)



### Technical specification

#### DIMENSIONS, MM

Pitch	19,050
Pitch diameter, PD	576,174
Dimensions bore, min	31,750
Dimensions bore, max	76,200
Hub, H	133,350
Hub, L	50,800
Thickness, T1	11,280
l	587,273
Number of teeth	95
Number of sleeve	3020

#### WEIGHT

Weight, kg	48,500
Weight sleeve, kg	69,800

#### MANUFACTURER

[SKF](#)