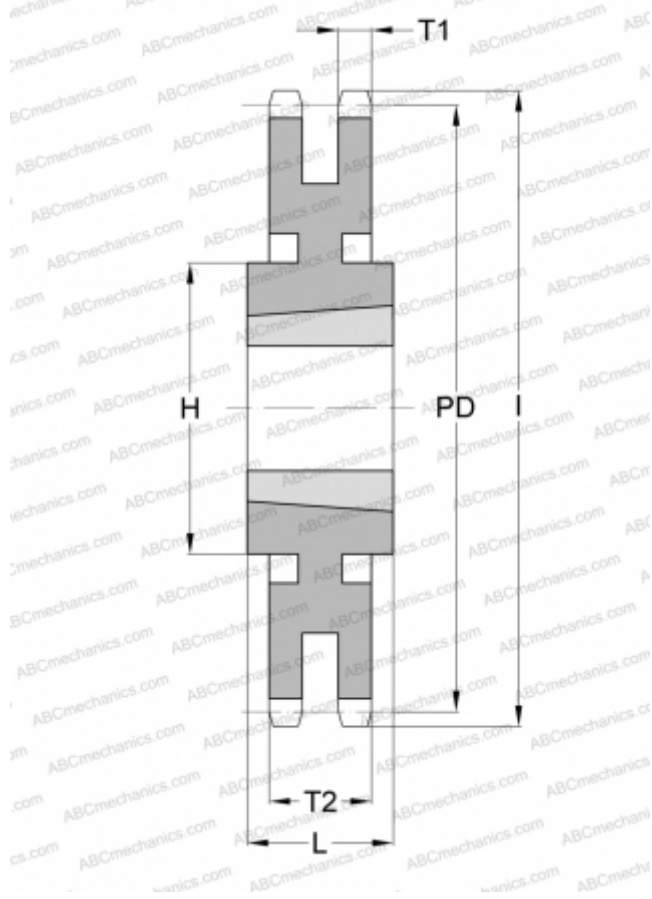


## PHS 80-2TB45 SKF

ANSI sprockets

TYPE: Double simplex, Taper bushed, hub on two side, Standard ANSI, type C1 (SKF)



### Technical specification

#### DIMENSIONS, MM

Pitch, p	25,400
Pitch diameter, PD	364,134
Dimensions bore, min	31,750
Dimensions bore, max	76,200
Hub, H	133,350
Thickness, T1	14,180
L	378,485
Number of teeth	45
Number of sleeve	3020

#### WEIGHT

Weight, kg	41,400
Weight sleeve, kg	6,500

#### MANUFACTURER

[SKF](#)