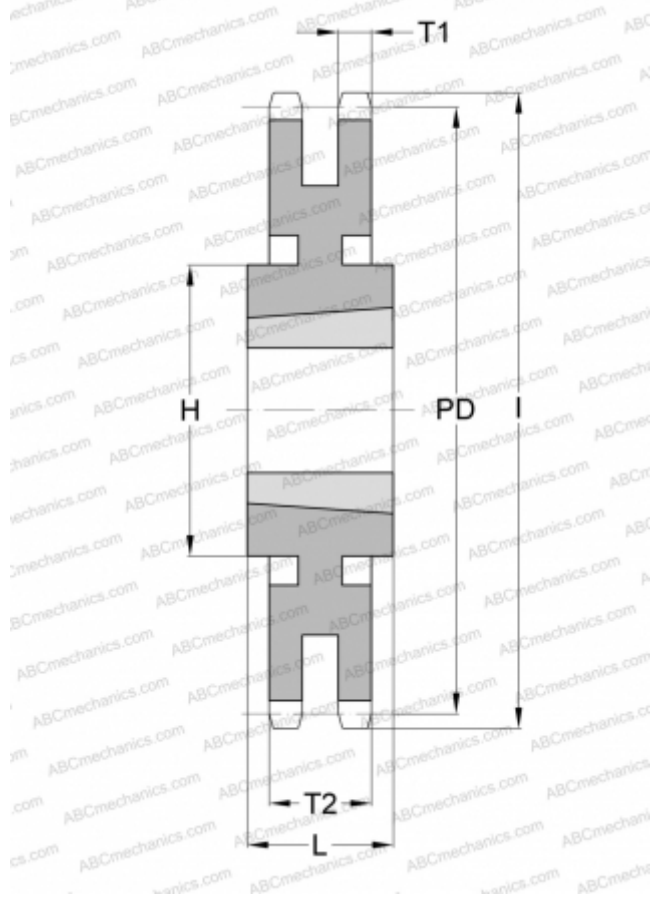


PHS 80-2TB60 SKF

ANSI sprockets

TYPE: Double simplex, Taper bushed, hub on two side, Standard ANSI, type C1 (SKF)



Technical specification

DIMENSIONS, MM

Pitch	25,400
Pitch diameter, PD	485,318
Dimensions bore, min	31,750
Dimensions bore, max	76,200
Hub, H	133,350
Hub, L	50,800
Thickness, T1	14,180
l	499,897
Number of teeth	60
Number of sleeve	3020

WEIGHT

Weight, kg	66,300
Weight sleeve, kg	6,500

MANUFACTURER

[SKF](#)