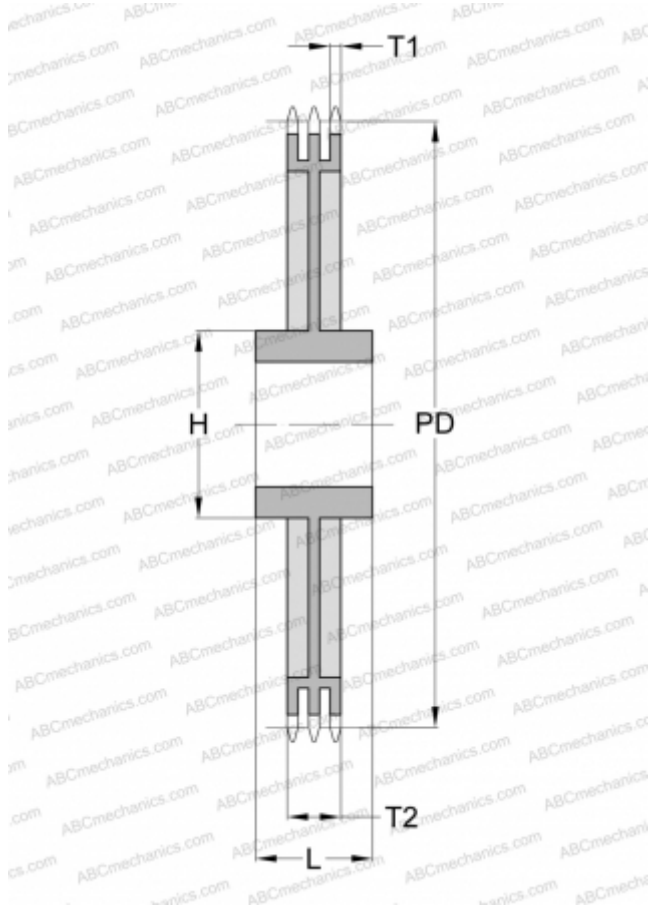


## PHS 12B-3C60 SKF

Metric sprockets

TYPE: Triplex, Pilot bore, hub on two side, Standard BS/ISO (SKF)



### Technical specification

#### DIMENSIONS, MM

Pitch, p	19,050
Pitch diameter, PD	363,990
Dimensions bore, min	25,000
Dimensions bore, max	82,000
Hub, H	140,000
Thickness, T1	10,870
Thickness, T2	49,780
Number of teeth	60

#### WEIGHT, KG

35,510

#### MANUFACTURER

[SKF](#)