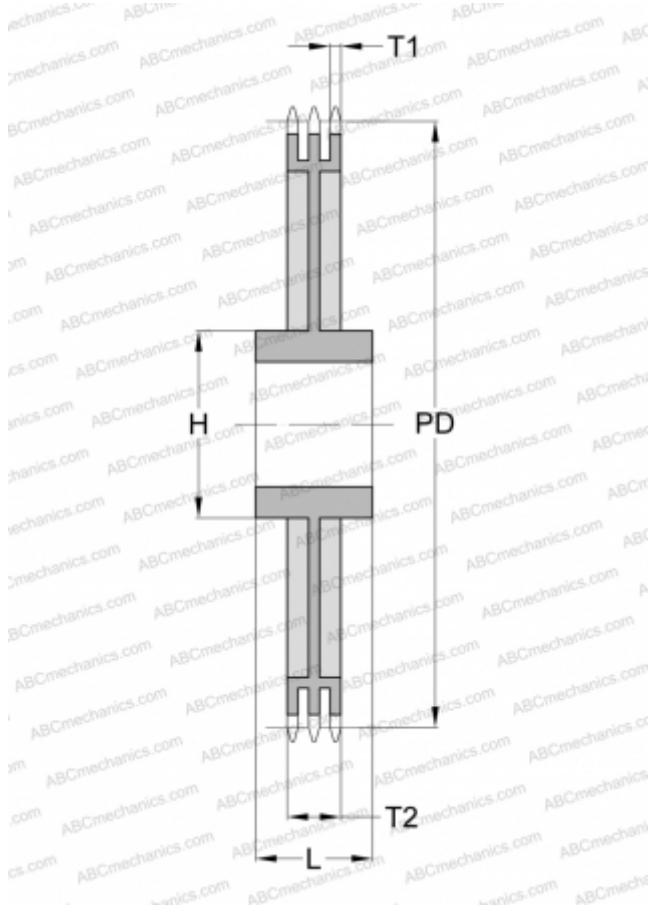


PHS 12B-3C80 SKF

Metric sprockets

TYPE: Triplex, Pilot bore, hub on two side, Standard BS/ISO (SKF)



Technical specification

DIMENSIONS, MM

| | |
|----------------------|---------|
| Pitch, p | 19,050 |
| Pitch diameter, PD | 485,220 |
| Dimensions bore, min | 25,000 |
| Dimensions bore, max | 95,000 |
| Hub, H | 140,000 |
| Thickness, T1 | 10,870 |
| Thickness, T2 | 49,780 |
| Number of teeth | 80 |

WEIGHT, KG

39,150

MANUFACTURER

[SKF](#)