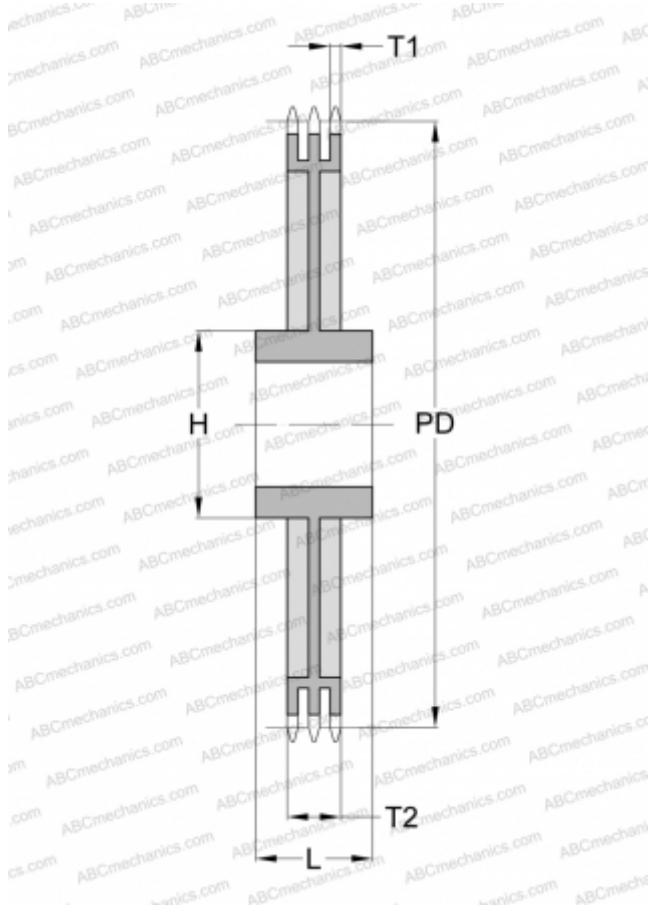


PHS 16B-3C114 SKF

Metric sprockets

TYPE: Triplex, Pilot bore, hub on two side, Standard BS/ISO (SKF)



Technical specification

DIMENSIONS, MM

Pitch, p	25,400
Pitch diameter, PD	921,810
Dimensions bore, min	30,000
Dimensions bore, max	114,000
Hub, H	180,000
Thickness, T1	15,820
Thickness, T2	79,580
Number of teeth	114

WEIGHT, KG

120,840

MANUFACTURER

[SKF](#)