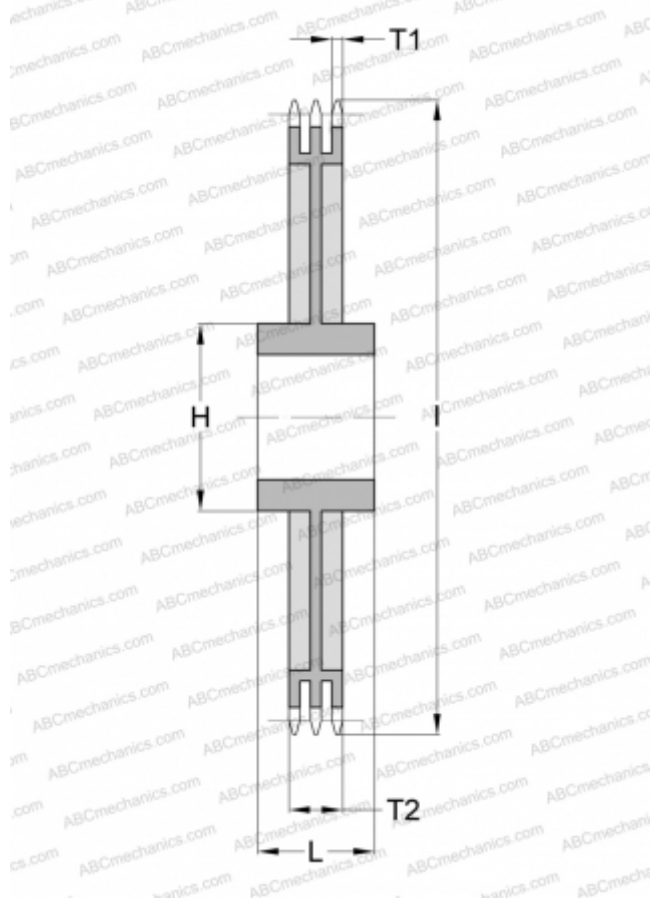


## PHS 100-3C45 SKF

ANSI sprockets

TYPE: Triplex, Pilot bore, hub on two side, Standard ANSI (SKF)



### Technical specification

#### DIMENSIONS, MM

Pitch, p	6,350
Dimensions bore, min	38,100
Dimensions bore, max	101,600
Hub, H	152,400
Thickness, T1	16,990
l	473,202

#### WEIGHT, KG

143,000

#### MANUFACTURER

[SKF](#)