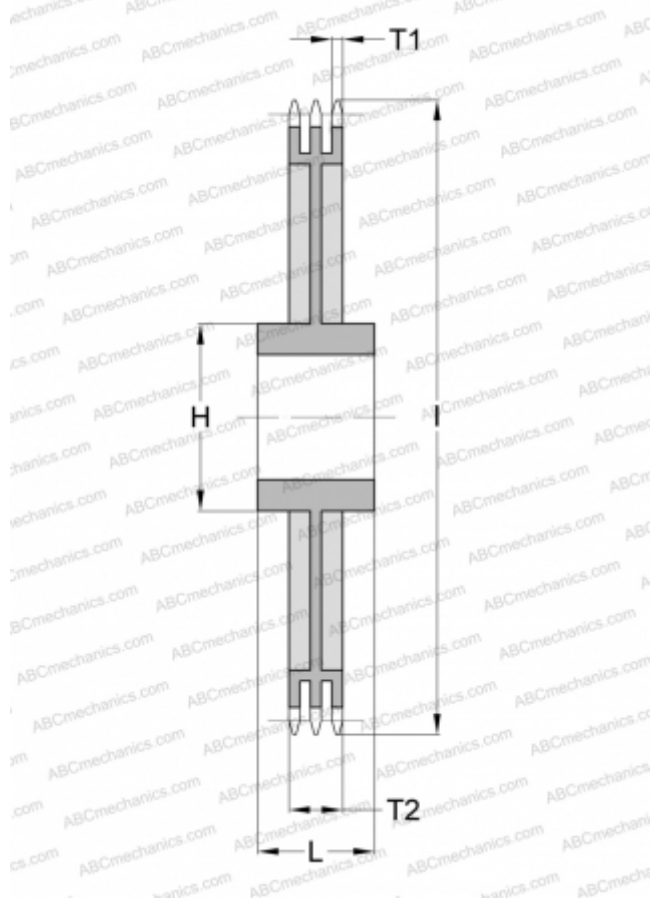


PHS 100-3C70 SKF

ANSI sprockets

TYPE: Triplex, Pilot bore, hub on two side, Standard ANSI (SKF)



Technical specification

DIMENSIONS, MM

Pitch, p	6,350
Dimensions bore, min	38,100
Dimensions bore, max	136,525
Hub, H	190,500
Thickness, T1	16,990
l	725,932

WEIGHT, KG

262,000

MANUFACTURER

[SKF](#)