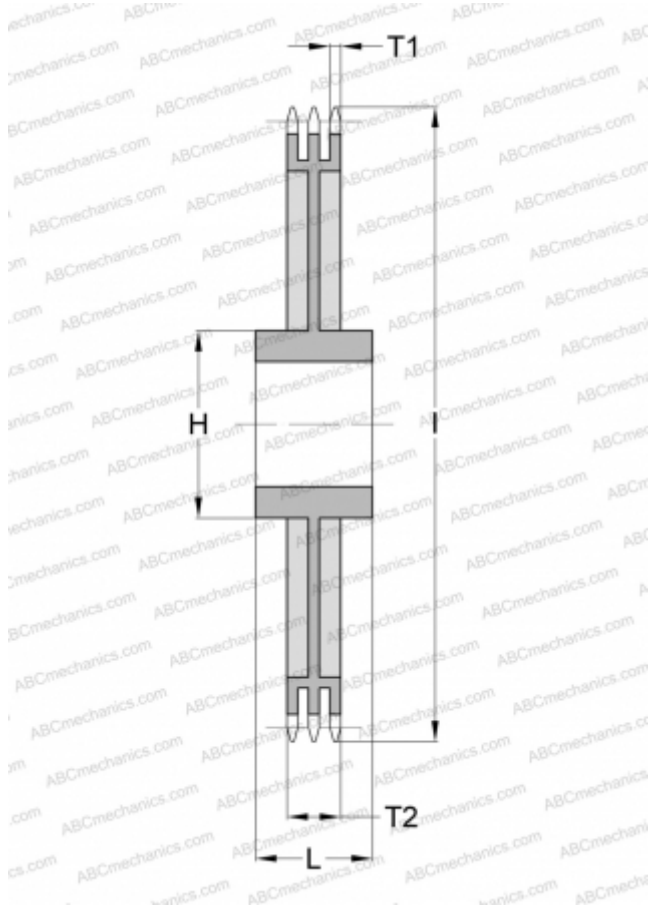


## PHS 50-3C72 SKF

ANSI sprockets

TYPE: Triplex, Pilot bore, hub on two side, Standard ANSI (SKF)



### Technical specification

#### DIMENSIONS, MM

Pitch	15,875
Dimensions bore, min	33,337
Dimensions bore, max	76,200
Hub, H	120,650
Hub, L	88,900
Thickness, T1	8,430
I	373,126

#### WEIGHT, KG

54,400

#### MANUFACTURER

[SKF](#)