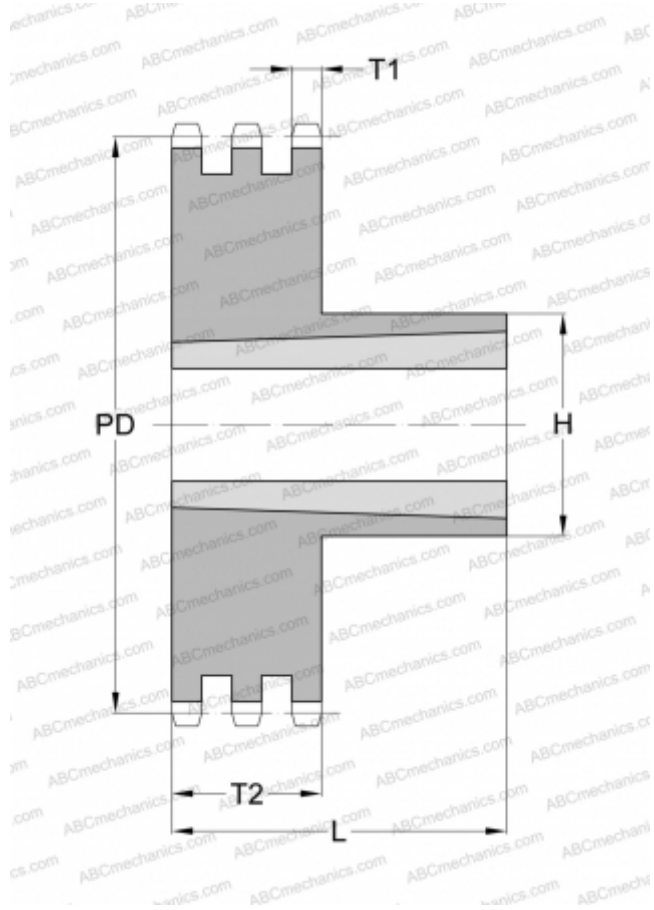


## PHS 12B-3TB38 SKF

Metric sprockets

TYPE: Triplex, Taper bushed, hub on one side, Standard BS/ISO (SKF)



### Technical specification

#### DIMENSIONS, MM

Pitch, p	19,050
Pitch diameter, PD	230,690
Dimensions bore, min	25,000
Dimensions bore, max	75,000
Hub, H	51,000
Thickness, T1	10,870
Thickness, T2	49,780
Number of teeth	38
Number of sleeve	3020

#### WEIGHT, KG

7,760

#### MANUFACTURER

[SKF](#)