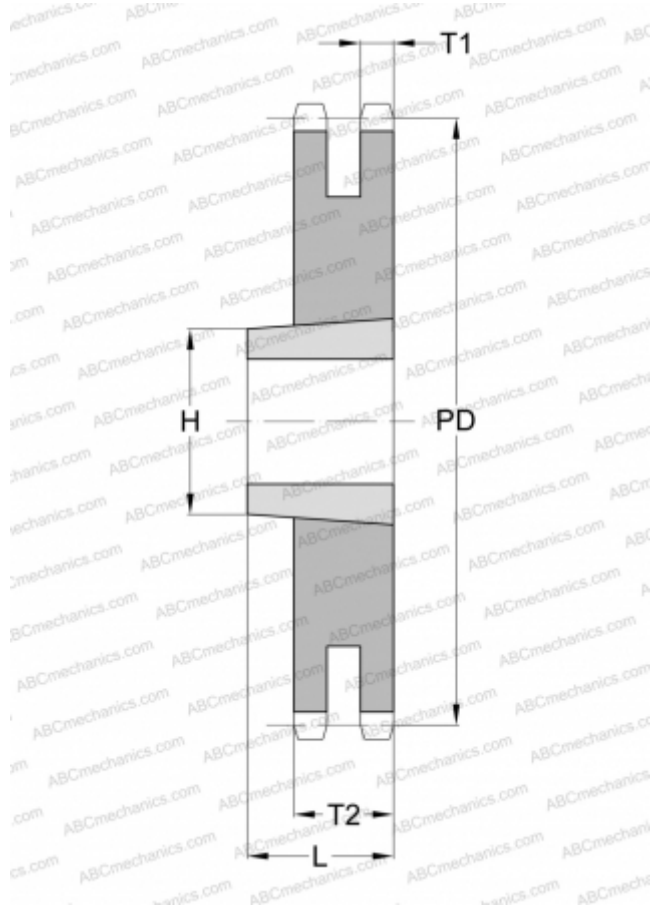


PHS 10B-2TB19 SKF

Metric sprockets

TYPE: Double simplex, Taper bushed without hub, Standard BS/ISO (SKF)



Technical specification

DIMENSIONS, MM

Pitch, p	15,880
Pitch diameter, PD	96,450
Dimensions bore, min	14,000
Dimensions bore, max	41,300
Thickness, T1	8,970
Thickness, T2	25,550
Number of teeth	19
Number of sleeve	1610

WEIGHT

Weight, kg	0,750
Weight sleeve, kg	0,310

MANUFACTURER

[SKF](#)