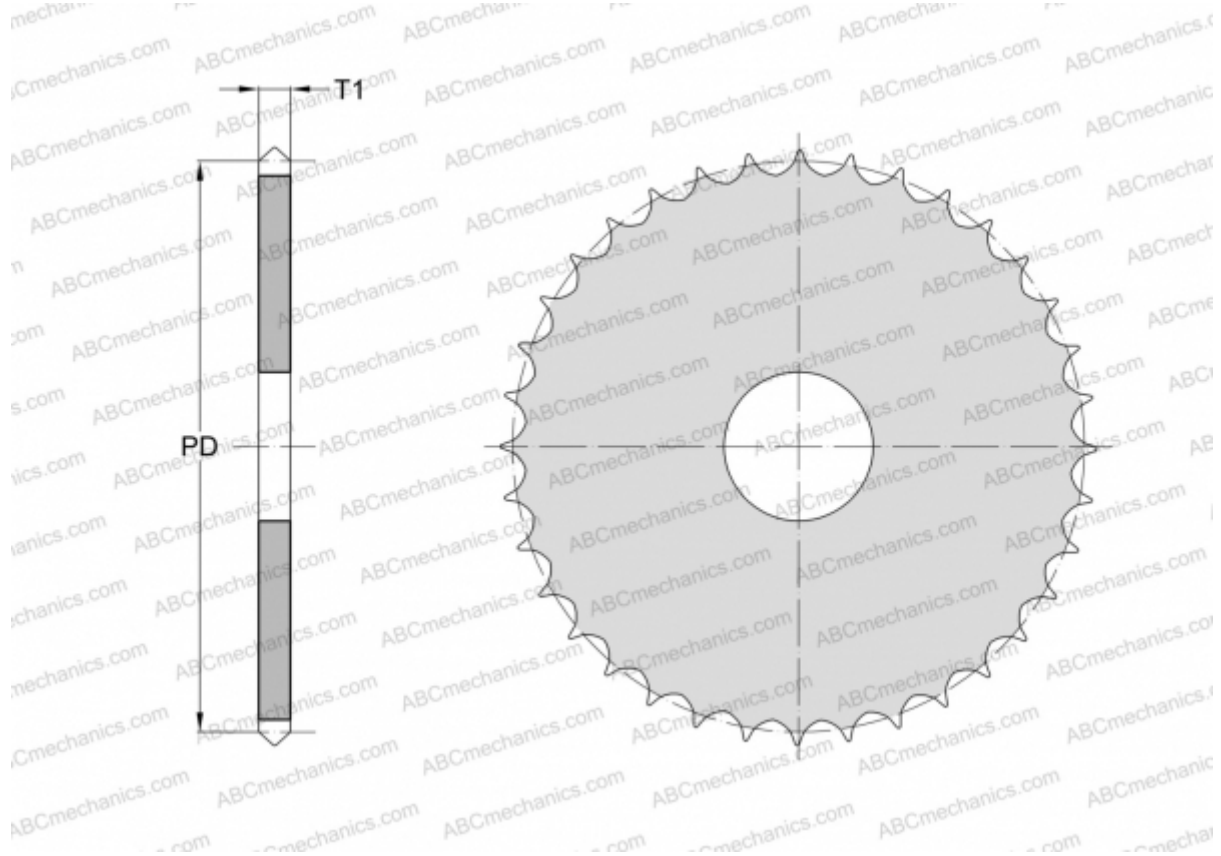


PHS 05B-1A17 SKF

Metric sprockets

TYPE: Simplex, Pilot bore without hub, Standard BS/ISO (SKF)



Technical specification

DIMENSIONS, MM

Pitch	8,000
Pitch diameter, PD	43,530
Dimensions bore, min	8,000
Thickness, T1	2,800
Number of teeth	17

WEIGHT, KG 0,030

MANUFACTURER [SKF](#)