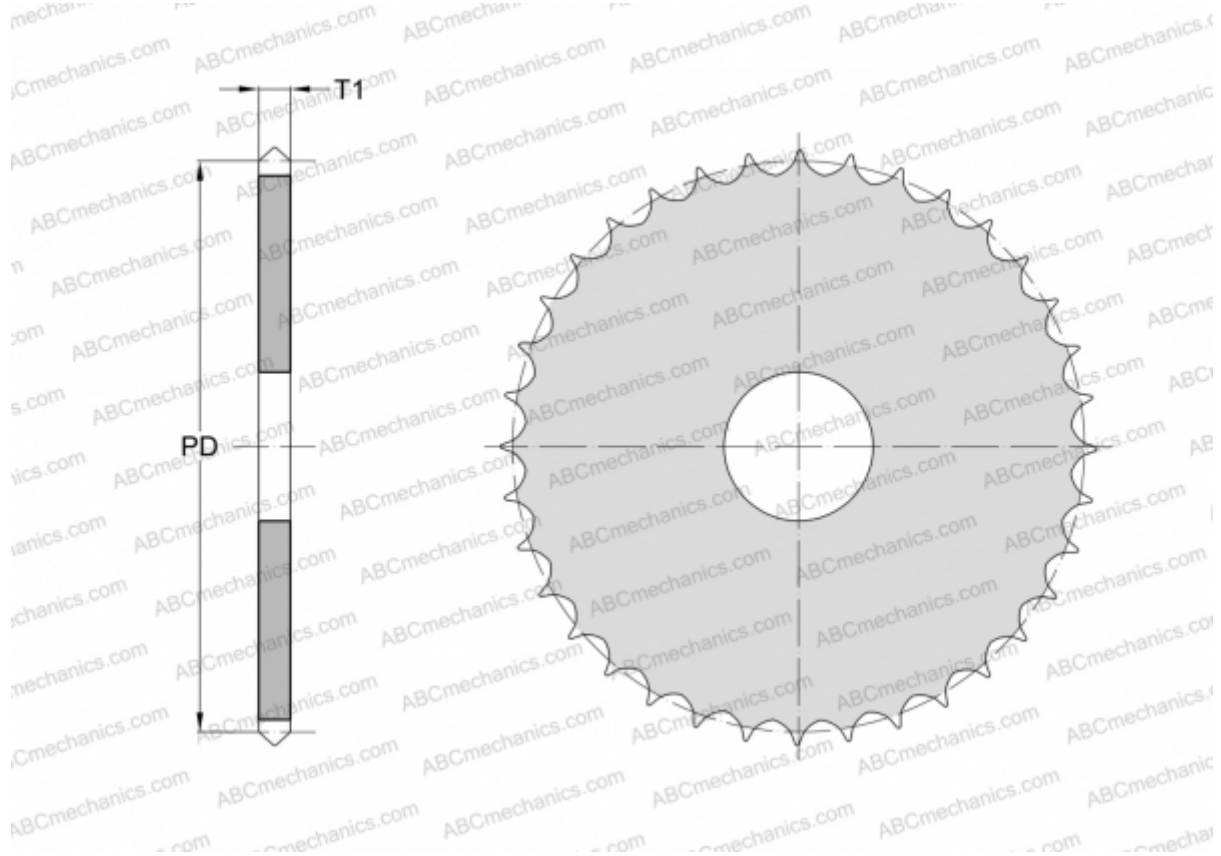


## PHS 05B-1A114 SKF

Metric sprockets

TYPE: Simplex, Pilot bore without hub, Standard BS/ISO (SKF)



### Technical specification

#### DIMENSIONS, MM

Pitch, p	8,000
Pitch diameter, PD	290,330
Dimensions bore, min	20,000
Thickness, T1	2,800
Number of teeth	114

**WEIGHT, KG** 2,670

**MANUFACTURER** [SKF](#)