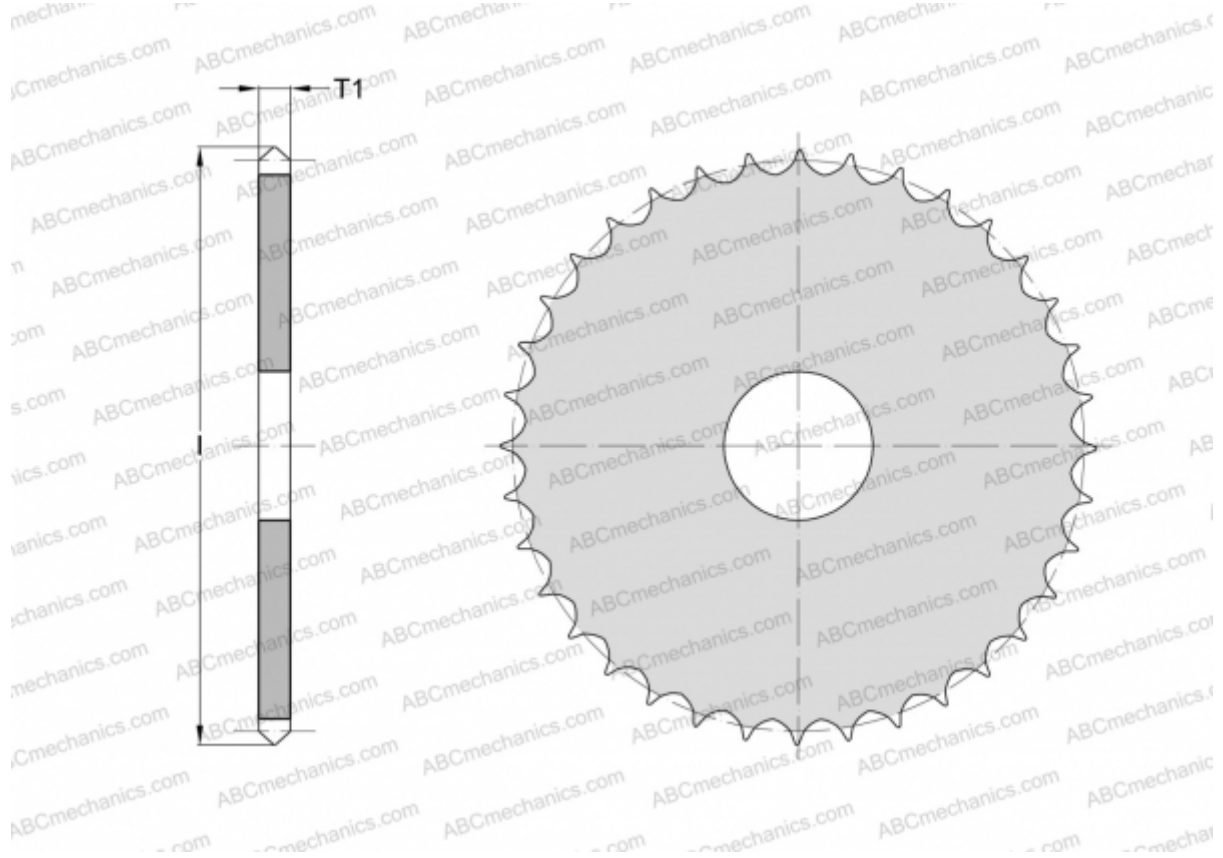


PHS 100-1A12 SKF

ANSI sprockets

TYPE: Simplex, Pilot bore without hub, Standard ANSI (SKF)



Technical specification

DIMENSIONS, MM

Pitch, p	31,750
Dimensions bore, min	31,750
Thickness, T1	17,570
l	137,668
Number of teeth	12

WEIGHT, KG 1,350

MANUFACTURER [SKF](#)