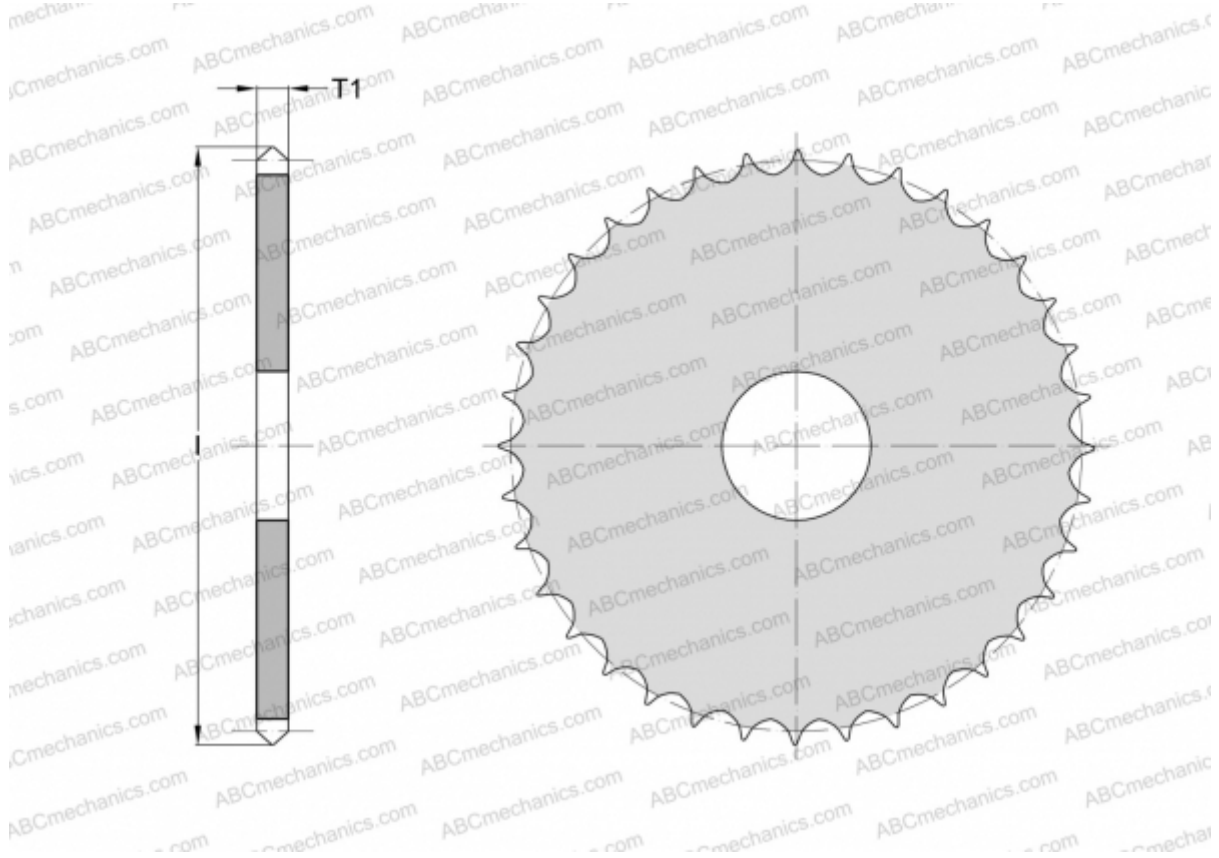


PHS 100-1A14 SKF

ANSI sprockets

TYPE: Simplex, Pilot bore without hub, Standard ANSI (SKF)



Technical specification

DIMENSIONS, MM

| | |
|----------------------|---------|
| Pitch, p | 31,750 |
| Dimensions bore, min | 31,750 |
| Thickness, T1 | 17,570 |
| l | 158,242 |
| Number of teeth | 14 |

WEIGHT, KG 1,845

MANUFACTURER [SKF](#)