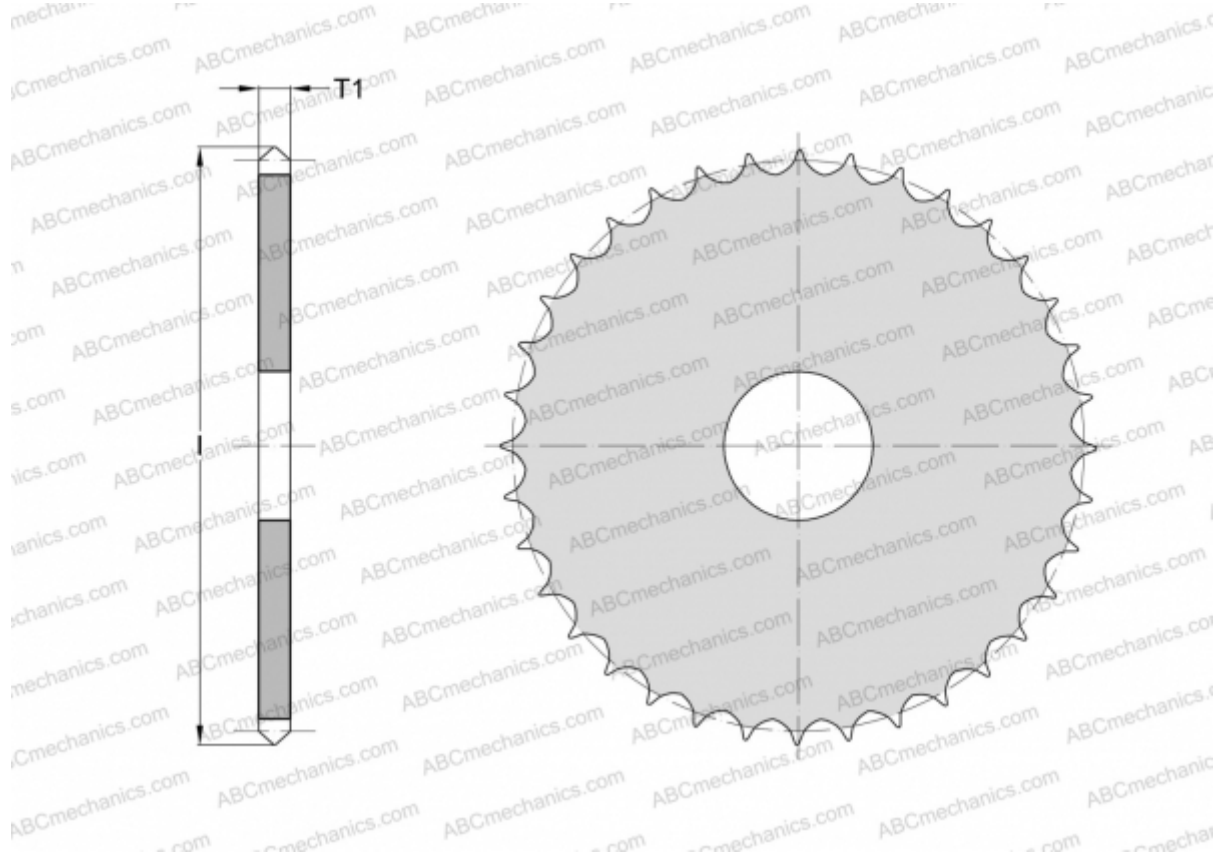


PHS 100-1A16 SKF

ANSI sprockets

TYPE: Simplex, Pilot bore without hub, Standard ANSI (SKF)



Technical specification

DIMENSIONS, MM

Pitch	31,750
Dimensions bore, min	31,750
Thickness, T1	17,570
l	178,562
Number of teeth	16

WEIGHT, KG 2,430

MANUFACTURER [SKF](#)