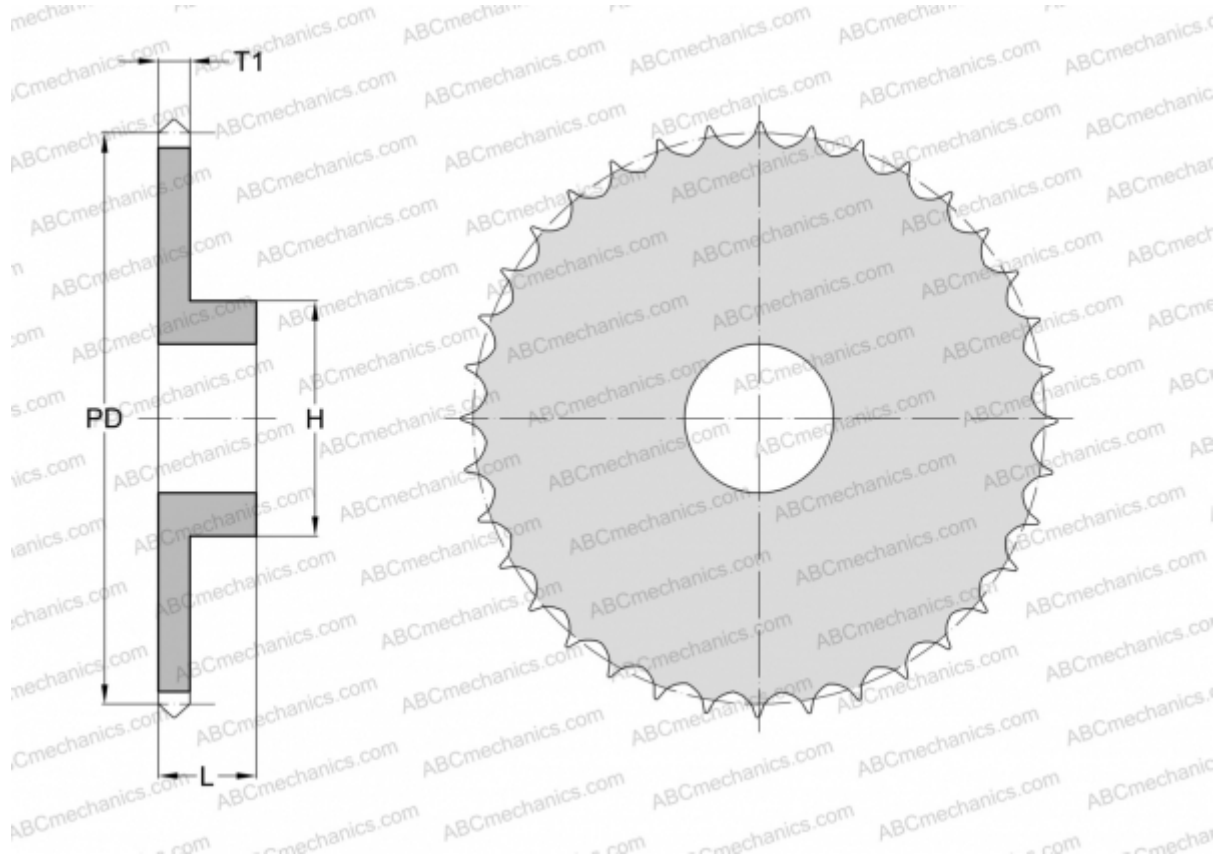


PHS 05B-1B13 SKF

Metric sprockets

TYPE: Simplex, Pilot bore, hub on one side, Standard BS/ISO (SKF)



Technical specification

DIMENSIONS, MM

Pitch	8,000
Pitch diameter, PD	33,420
Dimensions bore, min	8,000
Dimensions bore, max	8,000
Hub, H	23,000
Hub, L	13,000
Thickness, T1	2,800
Number of teeth	13

WEIGHT, KG 0,050

MANUFACTURER [SKF](#)