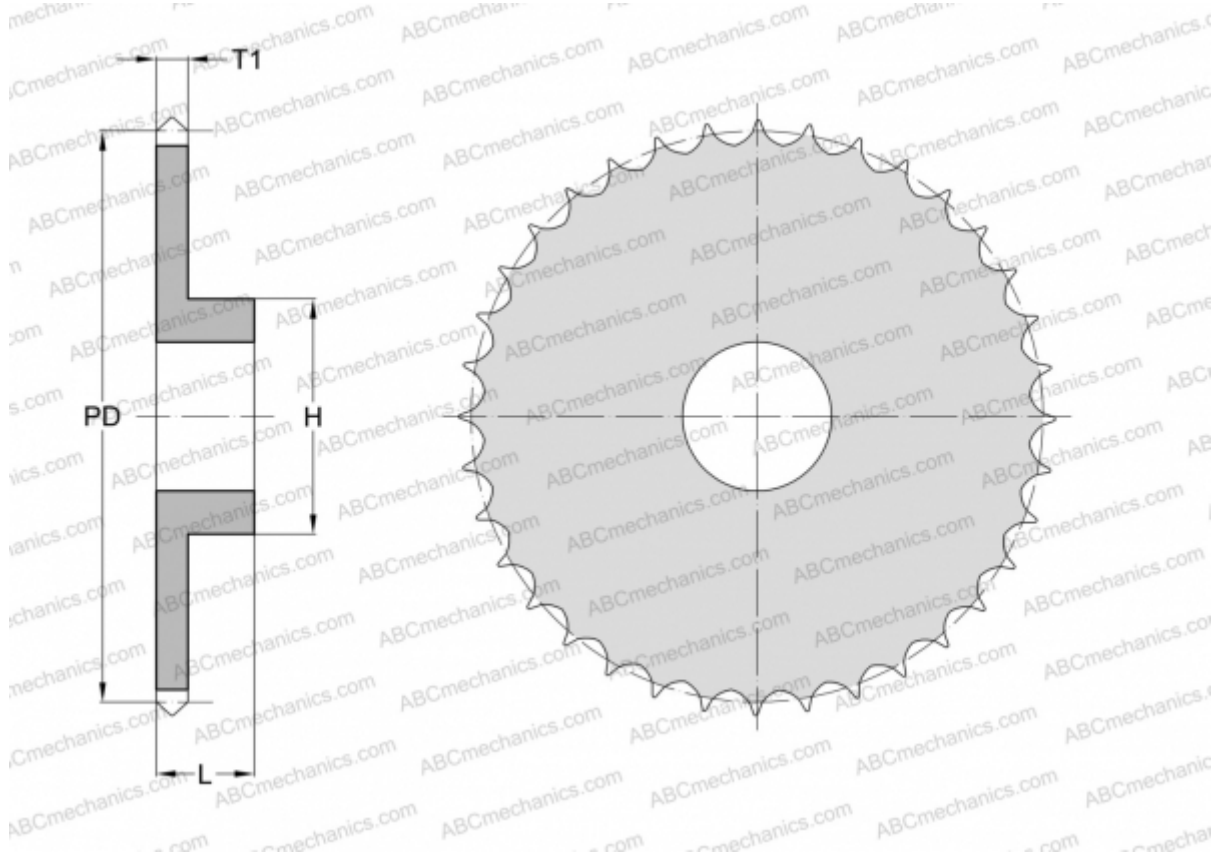


## PHS 05B-1B17 SKF

Metric sprockets

TYPE: Simplex, Pilot bore, hub on one side, Standard BS/ISO (SKF)



### Technical specification

#### DIMENSIONS, MM

Pitch, p	8,000
Pitch diameter, PD	43,530
Dimensions bore, min	8,000
Dimensions bore, max	14,000
Hub, H	30,000
Thickness, T1	2,800
Number of teeth	17

**WEIGHT, KG** 0,090

**MANUFACTURER** [SKF](#)