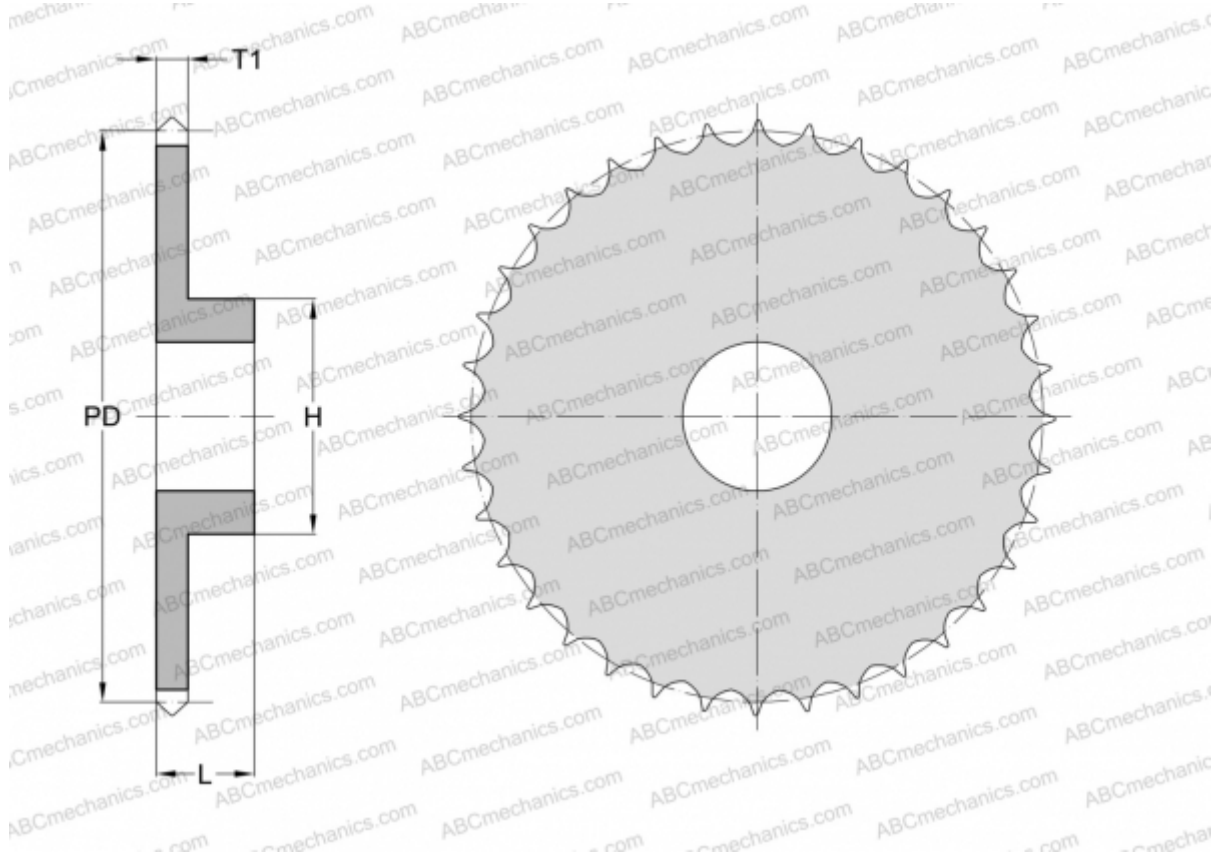


PHS 05B-1B114 SKF

Metric sprockets

TYPE: Simplex, Pilot bore, hub on one side, Standard BS/ISO (SKF)



Technical specification

DIMENSIONS, MM

Pitch, p	8,000
Pitch diameter, PD	290,330
Dimensions bore, min	20,000
Dimensions bore, max	55,000
Hub, H	88,000
Thickness, T1	2,800
Number of teeth	114

WEIGHT, KG 0,750

MANUFACTURER [SKF](#)