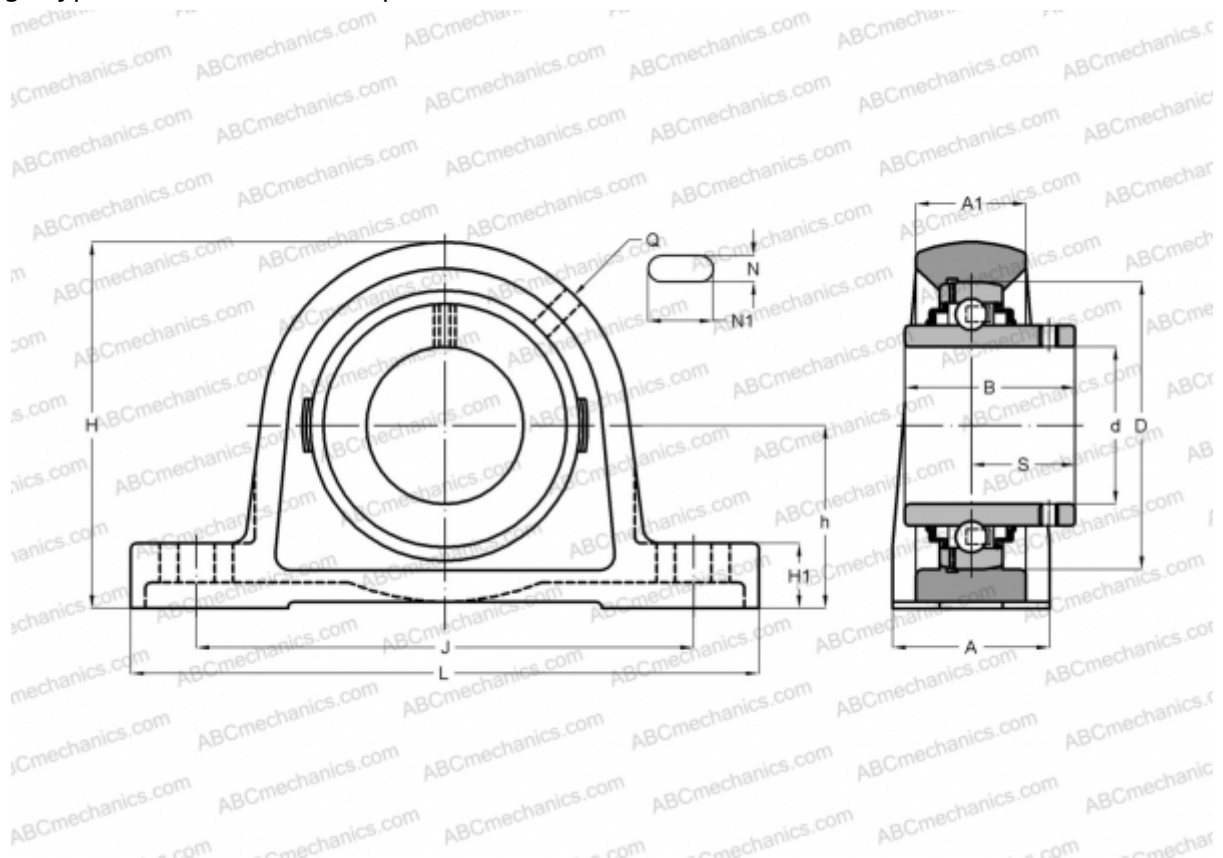


SYK 25 TF SKF

Ball bearing units

TYPE: Housing units, Plummer block, Cast iron housing, Radial insert ball bearing with grub screws in inner ring, Type SYK..TF (SKF), composite



Technical specification

DIMENSIONS, MM

d	25,000
D	52,000
B	34,100
L	134,000
H	70,500
A	32,000
J	105,000
A1	22,000
H1	16,000
N	12,000
N1	17,500
S	19,800
h	36,500

WEIGHT, KG 0,290

Bearing	YAR 205-2F
Housing	SYK 505
Protective cover	ECY 205

MANUFACTURER

[SKF](#)

CALCULATION DATA

Basic dynamic load rating, C	14,000 kN
Basic static load rating, Co	7,800 kN
Fatigue load limit, Pu	0,335 kN
Limiting speed	7000 r/min