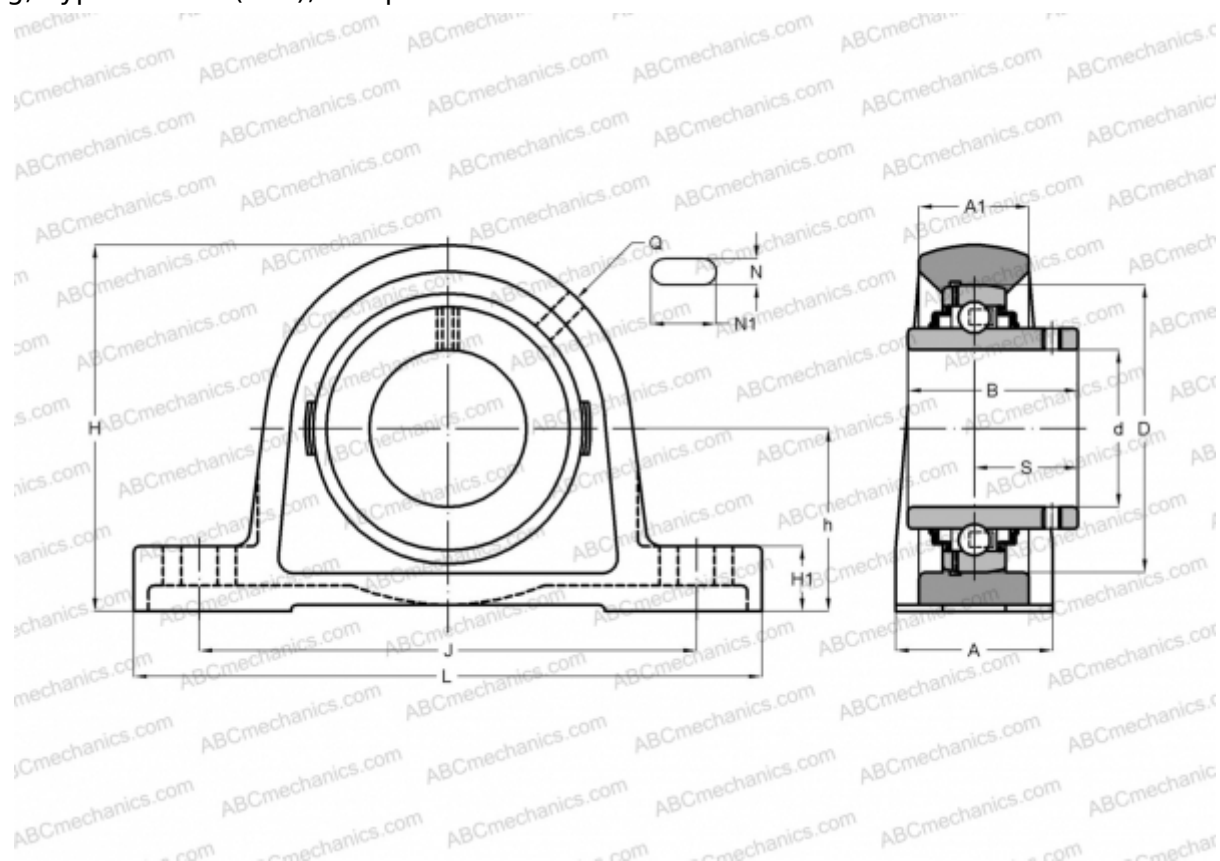


## SYK 30 TF SKF

Ball bearing units

TYPE: Housing units, Plummer block, Cast iron housing, Radial insert ball bearing with grub screws in inner ring, Type SYK..TF (SKF), composite



### Technical specification

#### DIMENSIONS, MM

d	30,000
D	62,000
B	38,100
L	159,000
H	82,000
A	40,000
J	121,000
A1	25,000
H1	19,000
N	14,500
N1	21,500
S	22,200
h	42,900

**WEIGHT, KG** 0,490

Bearing	YAR 206-2F
Housing	SYK 506
Protective cover	ECY 206

#### MANUFACTURER

[SKF](#)

#### CALCULATION DATA

Basic dynamic load rating, C	19,500 kN
Basic static load rating, Co	11,200 kN
Fatigue load limit, Pu	0,475 kN
Limiting speed	6300 r/min