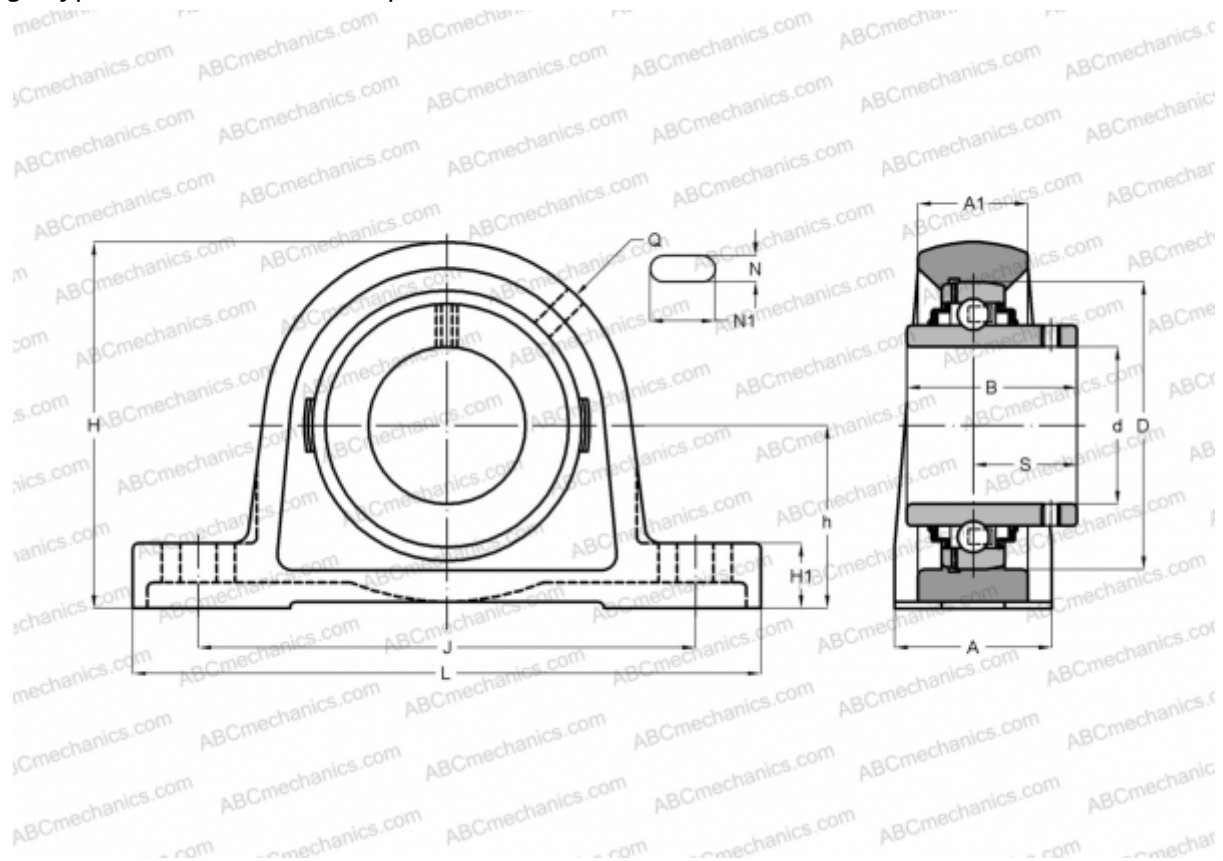


SYK 20 TR SKF

Ball bearing units

TYPE: Housing units, Plummer block, Cast iron housing, Radial insert ball bearing with grub screws in inner ring, Type SYK..TR (SKF), composite



Technical specification

DIMENSIONS, MM

d	20,000
D	47,000
B	31,000
L	126,000
H	64,000
A	32,000
J	96,000
A1	21,000
H1	16,000
N	12,000
N1	17,500
S	18,300
h	33,300

WEIGHT, KG 0,240

Bearing	YAR 204-2RF
Housing	SYK 504
Protective cover	ECY 204

MANUFACTURER

[SKF](#)

CALCULATION DATA

Basic dynamic load rating, C	12,700 kN
Basic static load rating, Co	6,550 kN
Fatigue load limit, Pu	0,280 kN
Limiting speed	5000 r/min