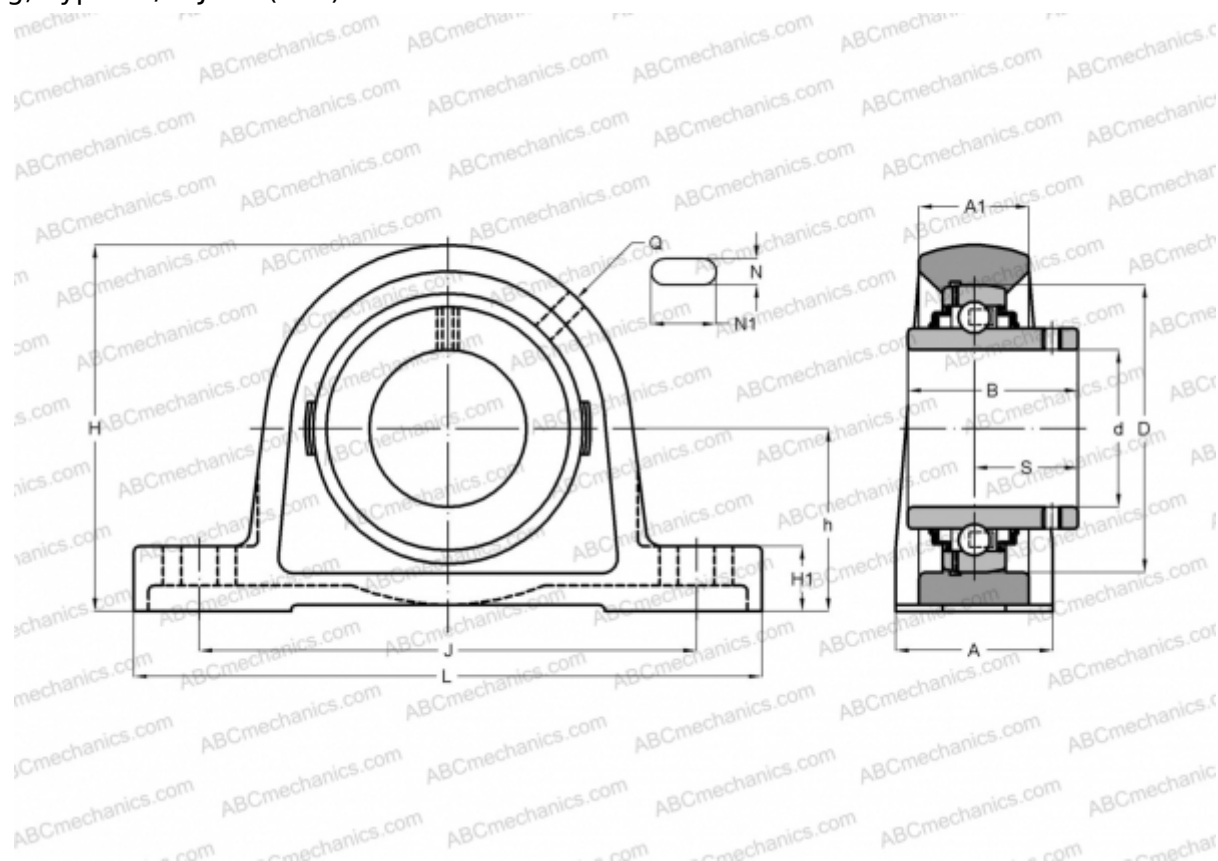


SY 30 TF SKF

Ball bearing units

TYPE: Housing units, Plummer block, Cast iron housing, Radial insert ball bearing with grub screws in inner ring, Type SY/SY..TF (SKF)



Technical specification

DIMENSIONS, MM

d	30,000
D	62,000
B	38,100
L	152,000
H	82,500
A	40,000
J	117,500
A1	25,000
H1	17,000
N	14,000
N1	23,500
S	22,200
h	42,900

WEIGHT, KG 1,100

Bearing	YAR 206-2F
Housing	SY 506 M
Protective cover	ECY 206

MANUFACTURER

[SKF](#)

CALCULATION DATA

Basic dynamic load rating, C	19,500 kN
Basic static load rating, Co	11,200 kN
Fatigue load limit, Pu	0,475 kN
Limiting speed	6300 r/min