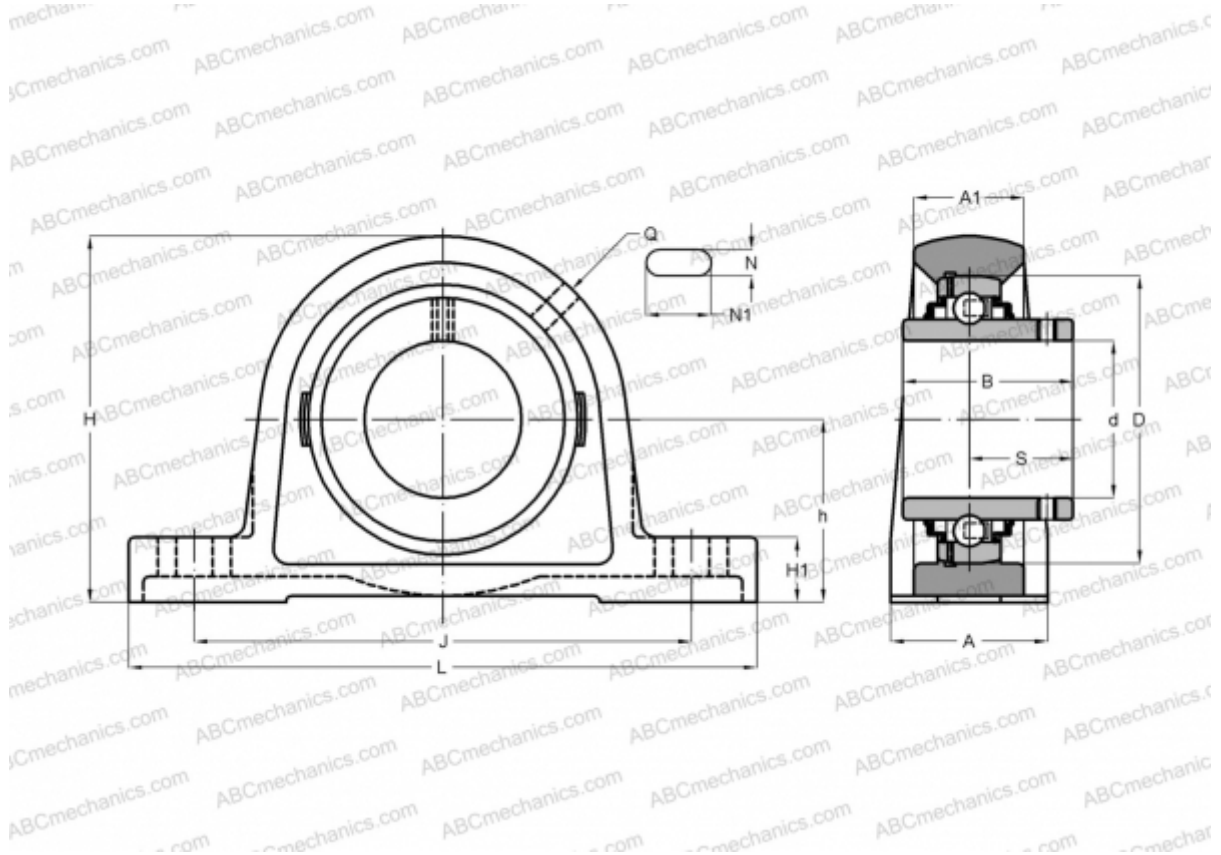


## SY 60 TF SKF

Ball bearing units

TYPE: Housing units, Plummer block, Cast iron housing, Radial insert ball bearing with grub screws in inner ring, Type SY/SY..TF (SKF)



### Technical specification

#### DIMENSIONS, MM

d	60,000
D	110,000
B	65,100
L	240,000
H	138,000
A	60,000
J	190,500
A1	42,000
H1	26,500
N	18,000
N1	29,500
S	39,700
h	69,800

**WEIGHT, KG** 4,450

Bearing	YAR 212-2F
Housing	SY 512 M
Protective cover	ECY 212

#### MANUFACTURER

[SKF](#)

#### CALCULATION DATA

Basic dynamic load rating, C	52,700 kN
Basic static load rating, Co	36,000 kN
Fatigue load limit, Pu	1,530 kN
Limiting speed	3400 r/min